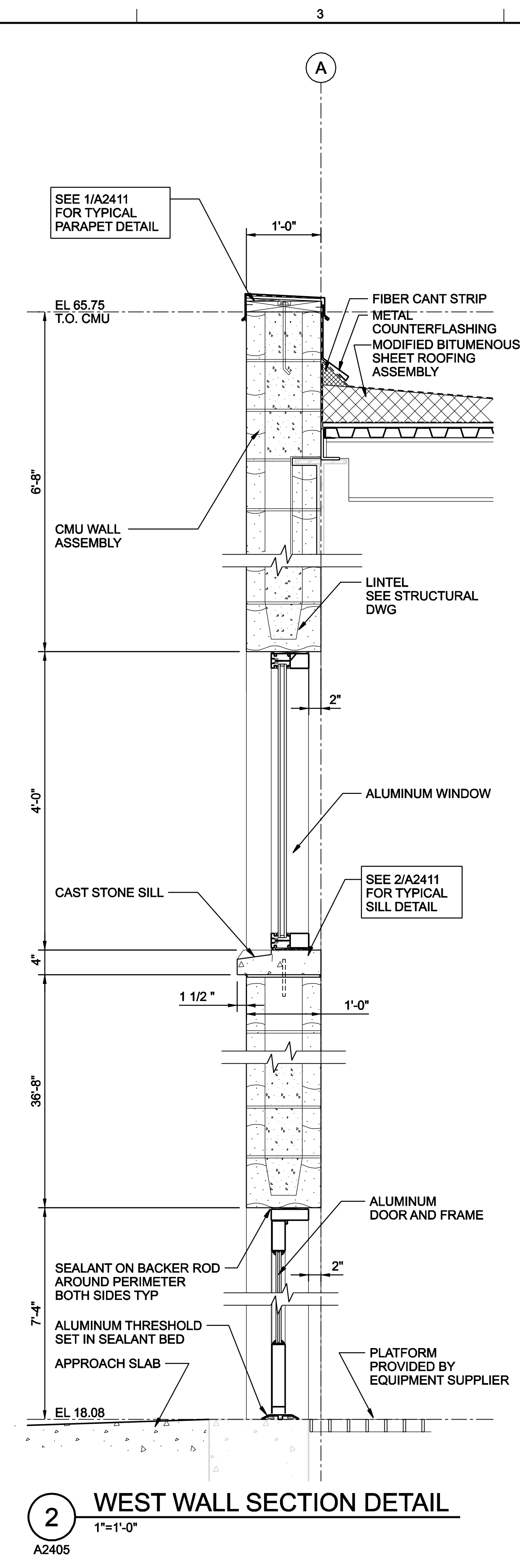
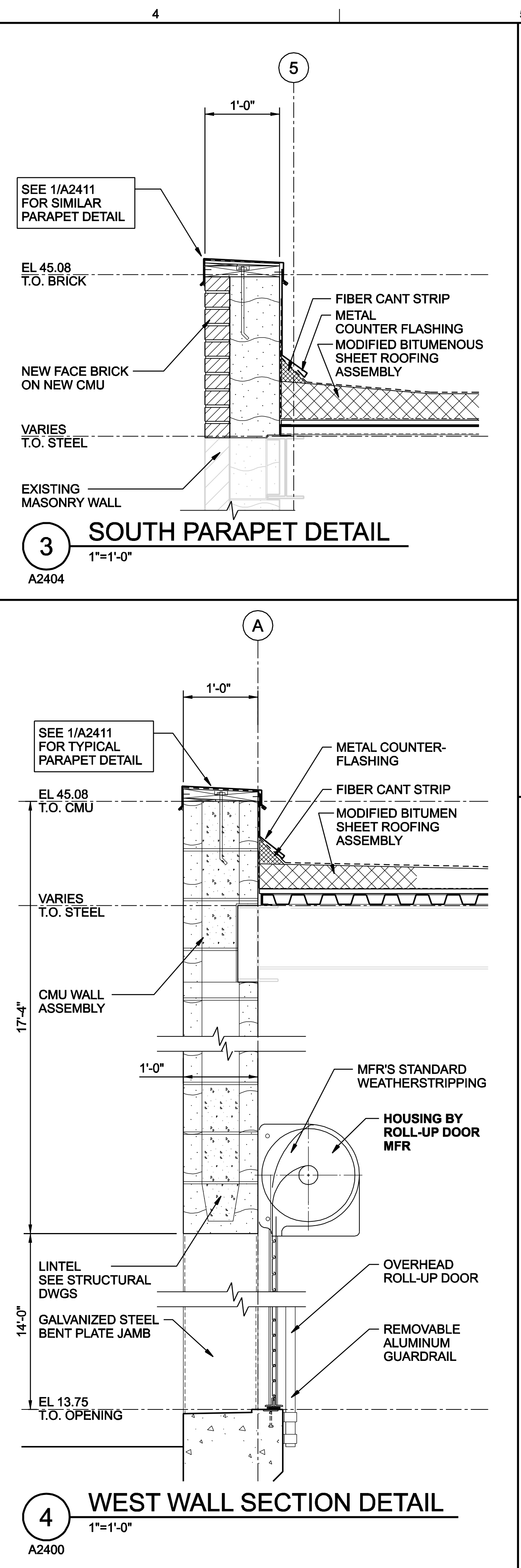


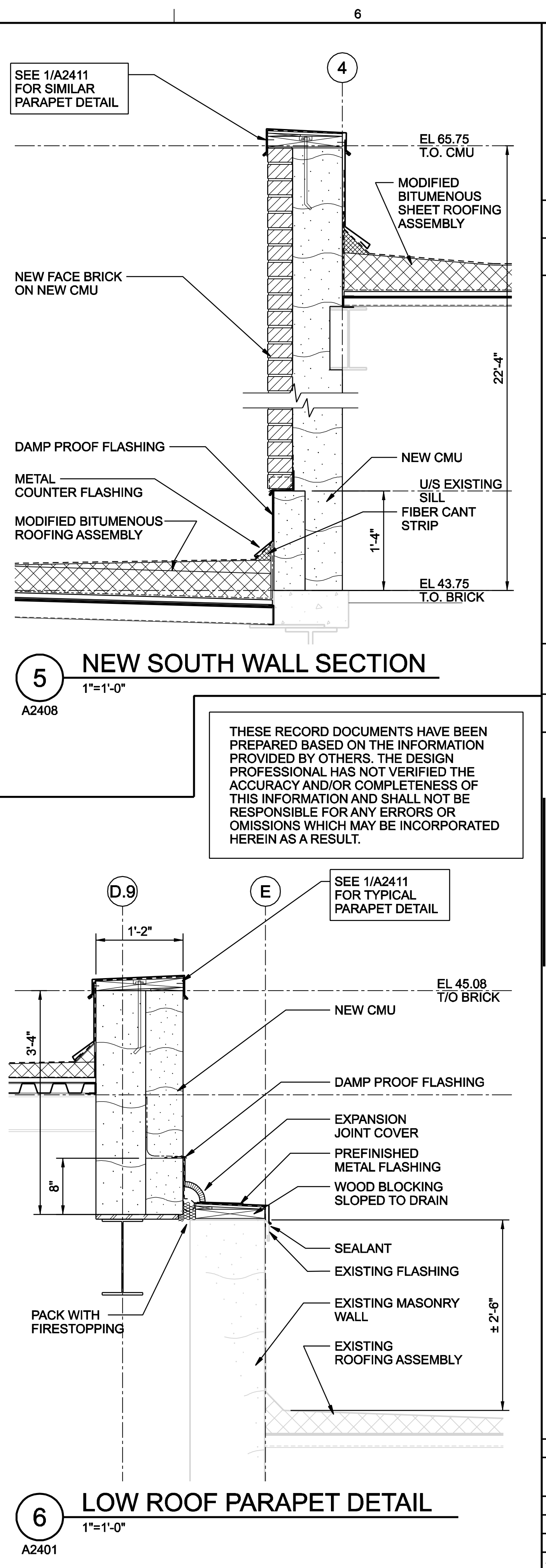
1 NORTH WALL SECTION DETAIL
1"=1'-0"
A2404



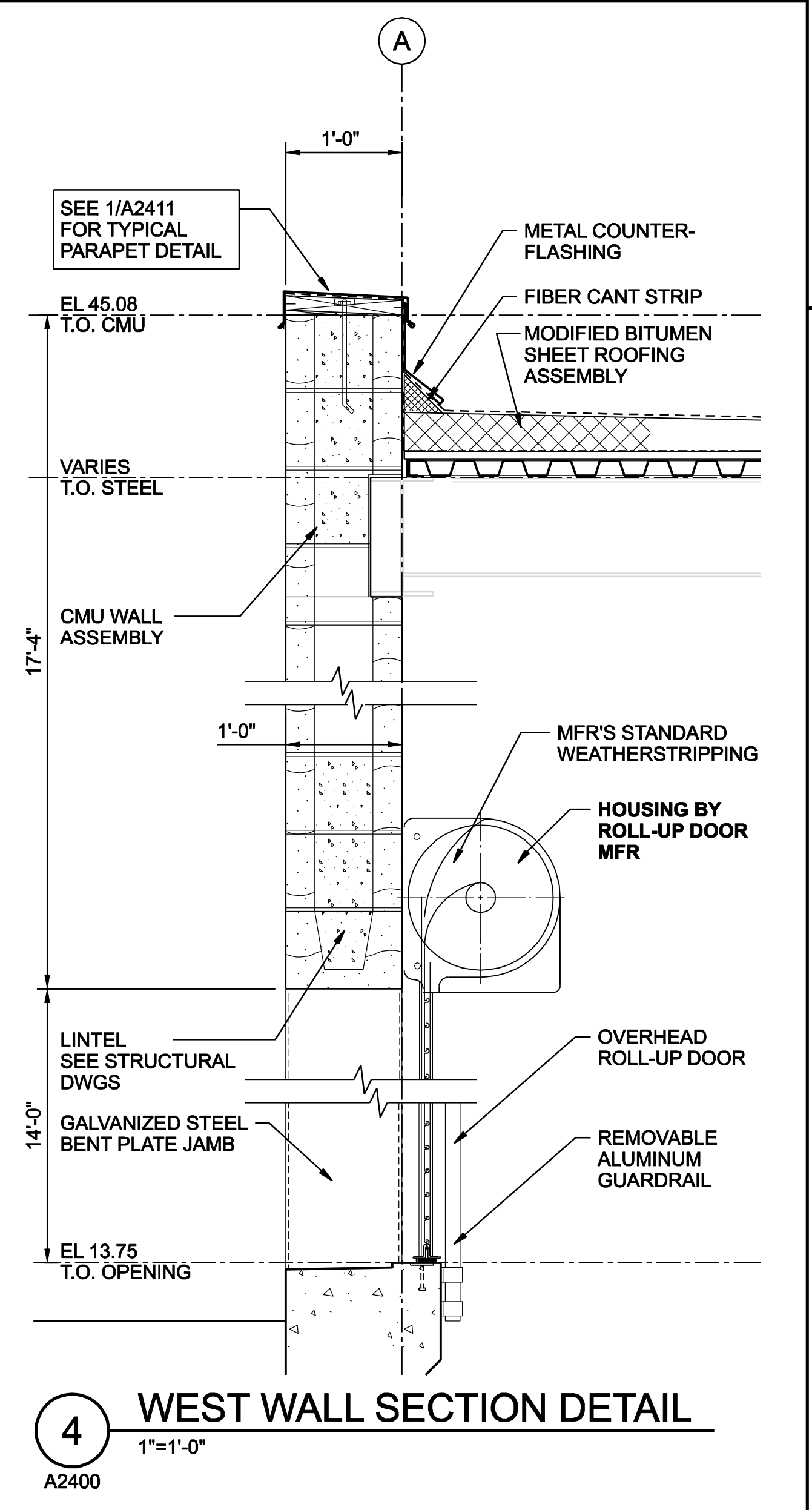
2 WEST WALL SECTION DETAIL
1"=1'-0"
A2405



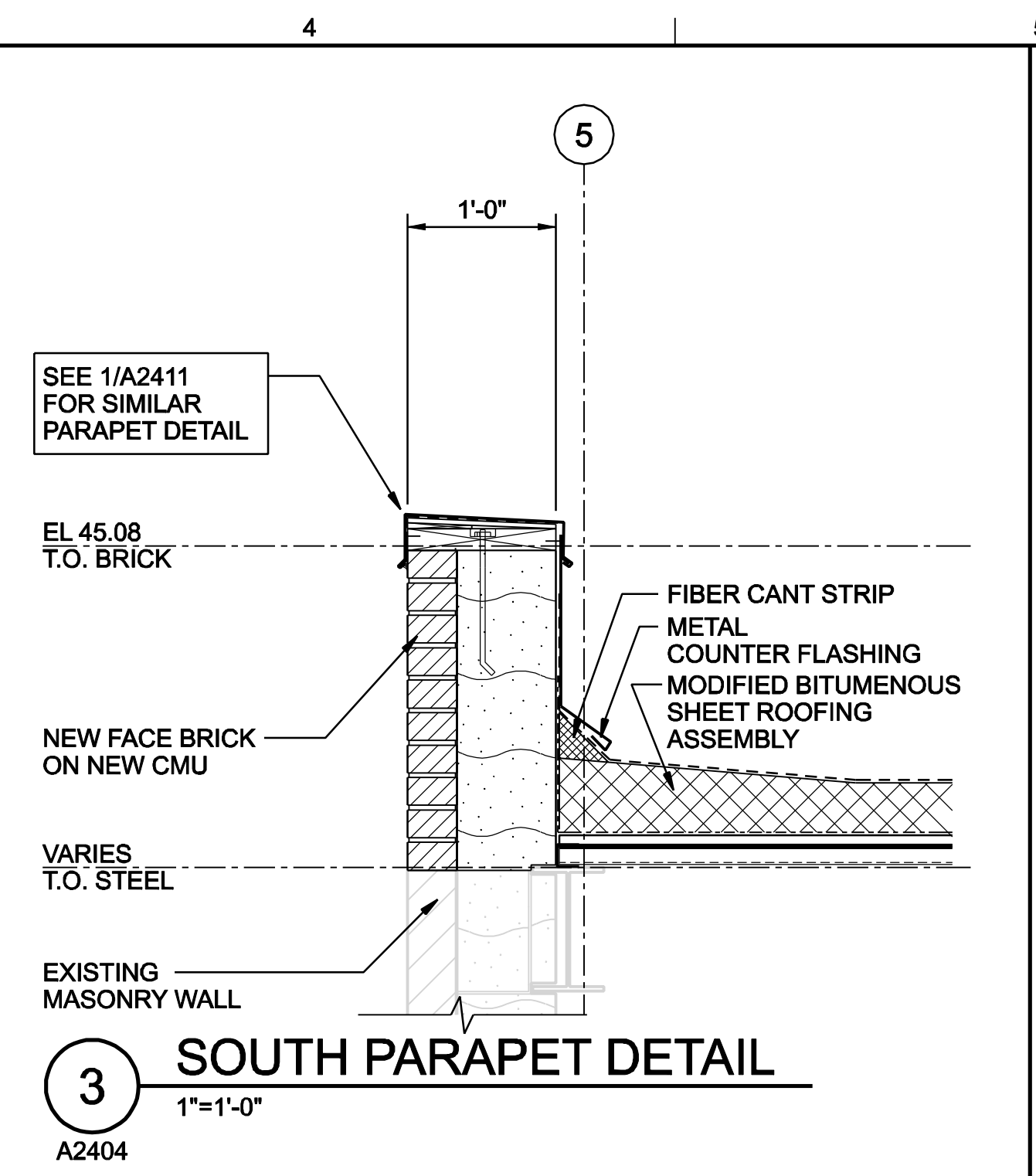
4 WEST WALL SECTION DETAIL
1"=1'-0"
A2400



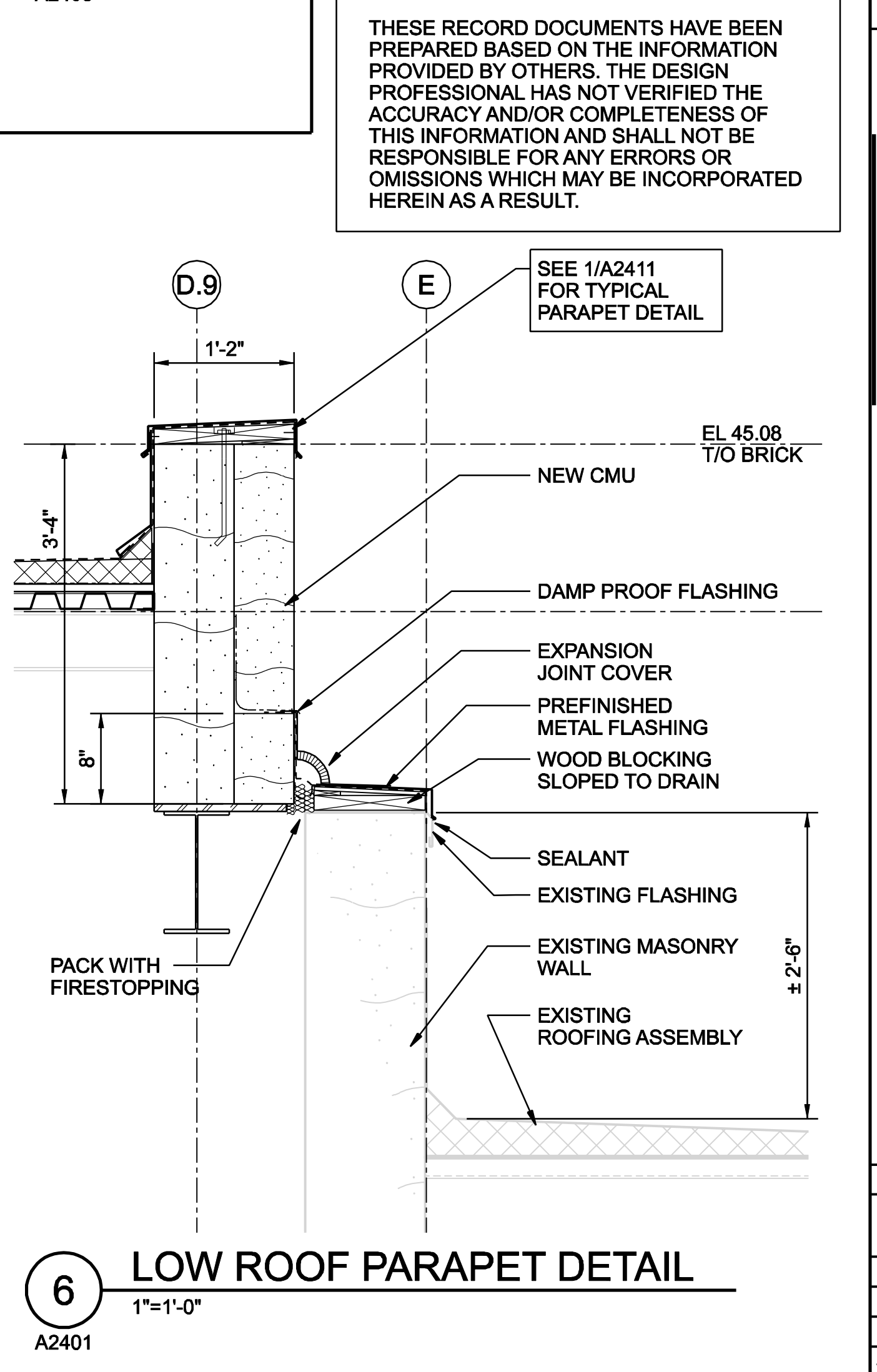
6 LOW ROOF PARAPET DETAIL
1"=1'-0"
A2401



3 SOUTH PARAPET DETAIL
1"=1'-0"
A2404



5 NEW SOUTH WALL SECTION
1"=1'-0"
A2408



6 LOW ROOF PARAPET DETAIL
1"=1'-0"
A2401

THESE RECORD DOCUMENTS HAVE BEEN PREPARED BASED ON THE INFORMATION PROVIDED BY OTHERS. THE DESIGN PROFESSIONAL HAS NOT VERIFIED THE ACCURACY AND/OR COMPLETENESS OF THIS INFORMATION AND SHALL NOT BE RESPONSIBLE FOR ANY ERRORS OR OMISSIONS WHICH MAY BE INCORPORATED HEREIN AS A RESULT.

RECORD DRAWING		BY	APVD
RE-ISSUED FOR CONSTRUCTION		BY	APVD
ISSUED FOR CONSTRUCTION		BY	APVD
FOR FINAL REVIEW/ BUILDING PERMIT		BY	APVD
NO.	DATE	CHK	DR
3	01/20/08	WYU	WYU
2	09/08/06	WYU	WYU
1	07/04/06	WYU	WYU
0	06/05/06	WYU	WYU
STAMFORD WPC		B. GACKSTATTER	
STAMFORD WATER POLLUTION CONTROL AUTHORITY SOLIDS DRYING PROJECT		L. GRANDE	
ARCHITECTURAL DETAILS (1)		© CH2M HILL 2004. ALL RIGHTS RESERVED.	
VERIFY SCALE			
BAR IS ONE INCH ON ORIGINAL DRAWING.			
DATE	JUNE 2006		
PROJ	334058		
DWG	A-2410		
SHEET	A13		