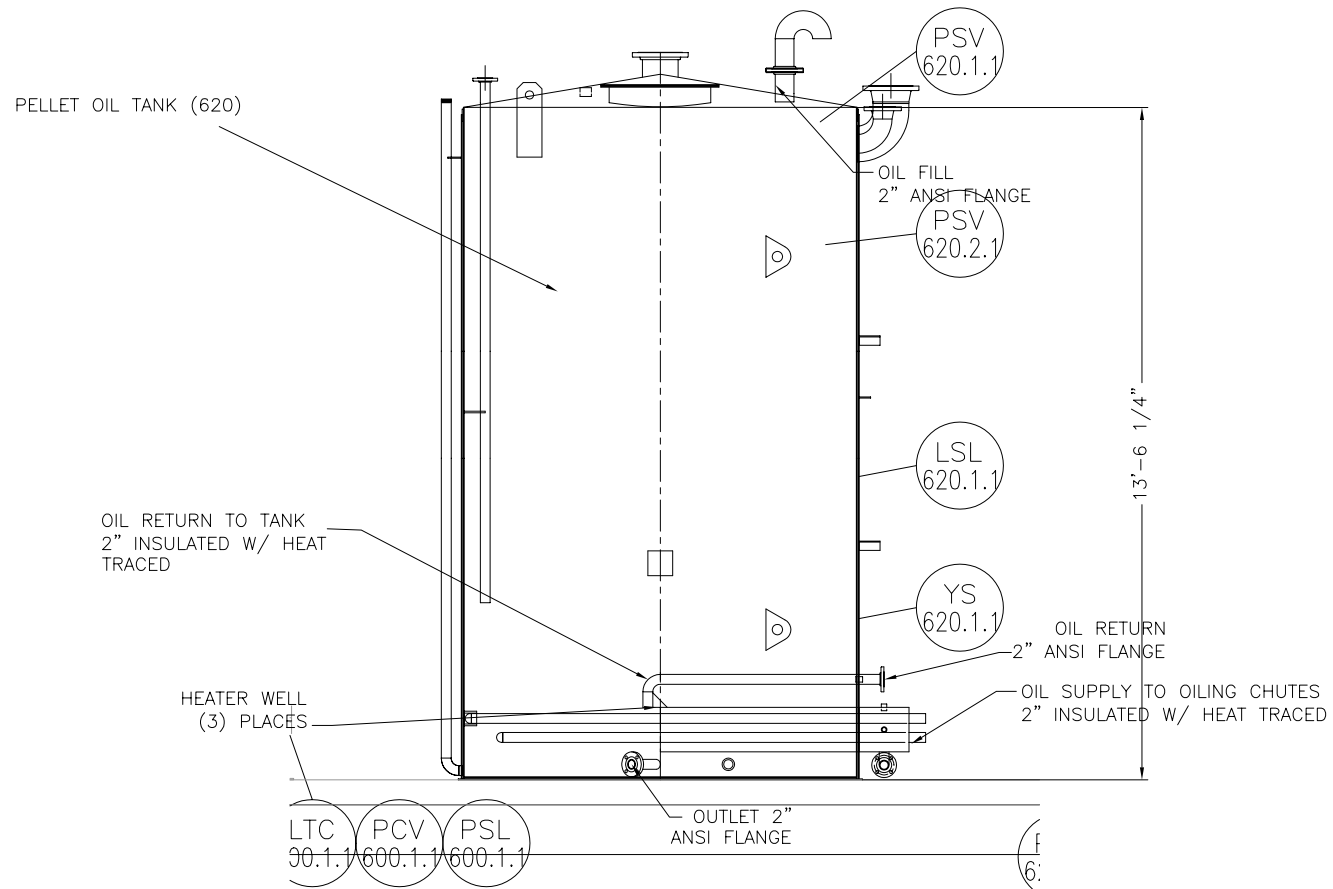


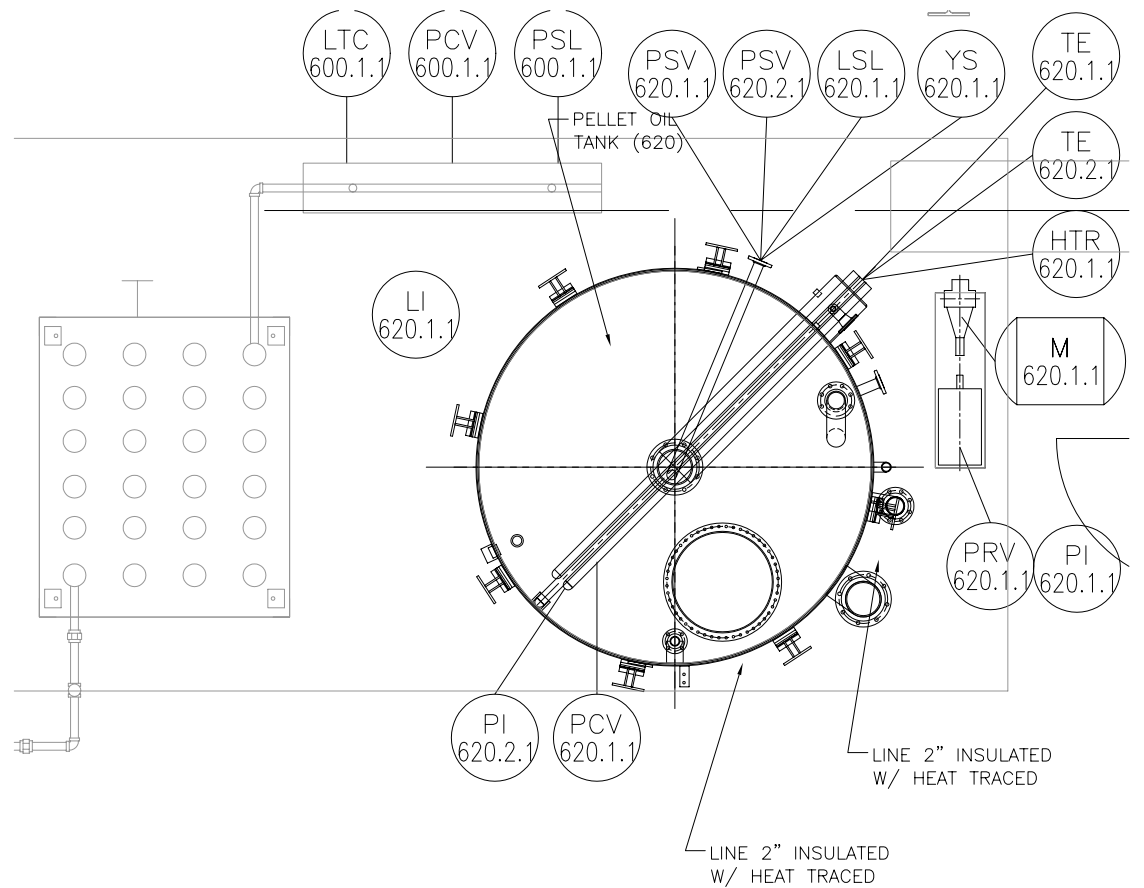
INSTALLATION NOTES:

- EQUIPMENT CONNECTION JOINTS TO BE GASKETED.
- GASKETS & HARDWARE PROVIDED BY ANDRITZ.
- CONTRACTOR TO PROVIDE FIELD DIMENSIONS REQUIRED FOR CHUTES AFTER EQUIPMENT IS INSTALLED.

TAG EQP'T 60.620.000

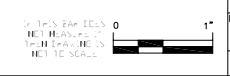


ELEVATION VIEW



PLAN VIEW

THIS DRAWING IS COPY RIGHTED
 FOR HIS PERSONAL USE WITHOUT THE SIGNED WRITTEN CONSENT OF ANDRITZ-RUTHNER, INC. IT MUST NOT BE COPIED NOR MADE AVAILABLE TO THIRD PARTIES. INCLUDING COMPETITORS, NOR MADE ACCESSIBLE TO SUCH PARTIES. ANY ILLEGAL USE BY THE RECEIVER OR THIRD PARTIES FOR WHICH HE IS RESPONSIBLE CAN CONSTITUTE A CAUSE FOR LEGAL ACTION. THIS DRAWING MUST BE RETURNED ON REQUEST OF THE COMPANY.



DATE:	2/6/06	DATE:	
DRAWN BY:	JEN	CHECKED BY:	
APPROVED BY:		SCALE:	1/2"=1'-0"
FILE:	152462020	SIZE:	
PROJECT NUMBER:	1524	REVISION:	
DRAWING NUMBER:	620-20	REV:	1
SHEET:	1 OF 1	FOR FINAL REVIEW/BUILDING PERMIT:	0
		REVISION:	
		DATE:	06/05/06

CITY OF STAMFORD CONNECTICUT
 SOLIDS DRYING PROJECT
**PELLET OILING SYSTEM
 INSTALLATION & UTILITY**

DDS40