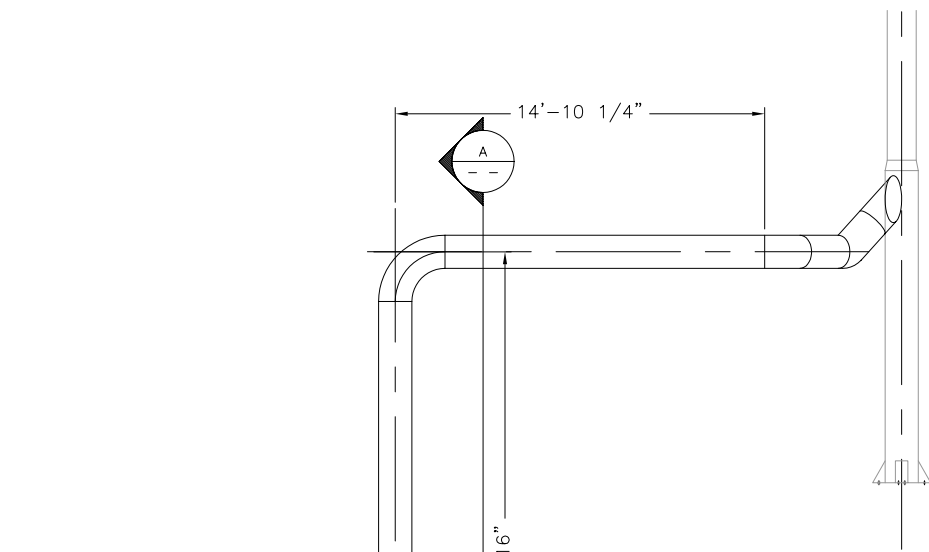
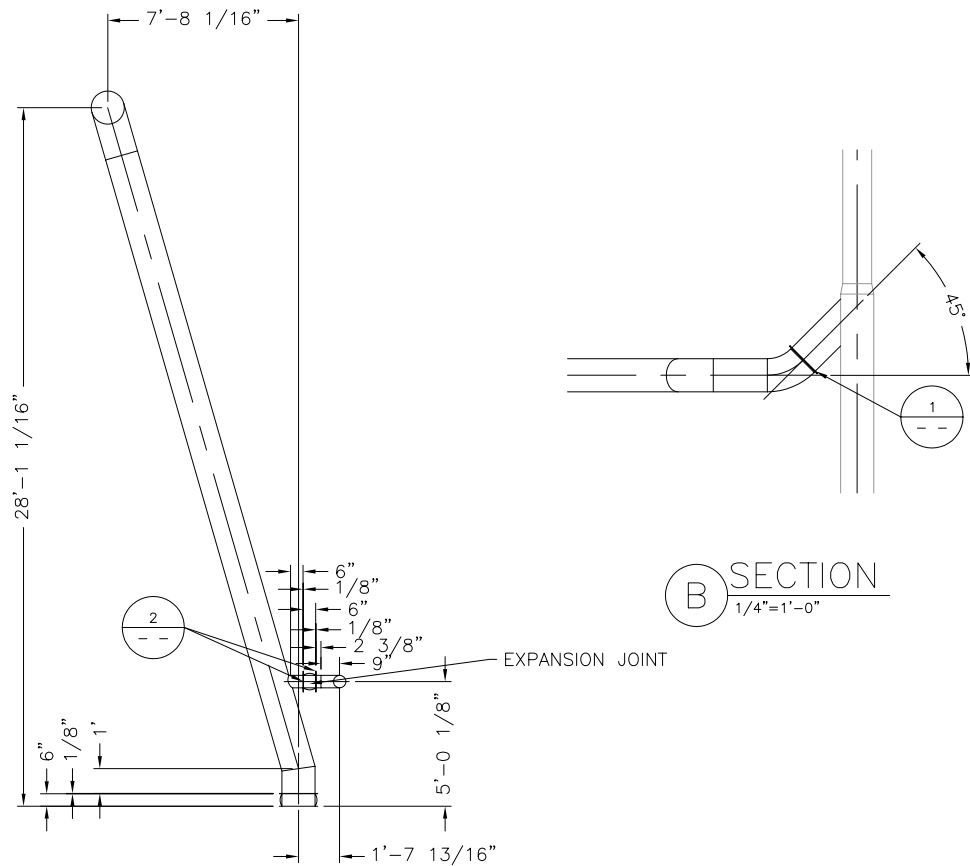


PLAN VIEW

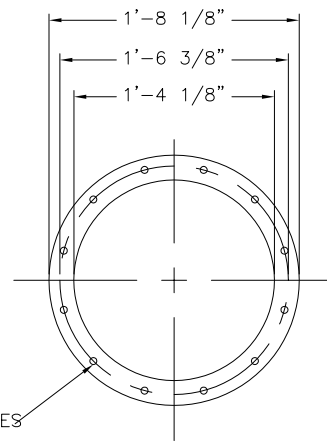


ELEVATION VIEW



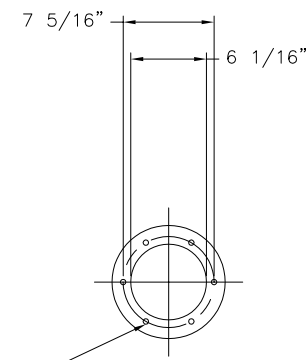
A SECTION
1/4"=1'-0"

B SECTION
1/4"=1'-0"



1 FLANGE DETAIL
1 1/2"=1'-0"

(12) 9/16"Ø HOLES



2 FLANGE DETAIL
1 1/2"=1'-0"

(6) 7/16"Ø HOLES

NOTES:

1. FOR GENERAL PROCESS DUCT FABRICATION NOTES SEE DRAWING 1524-560-20.
2. DESIGN OPERATING PRESSURE FOR THIS DUCT SECTION IS 30"WG NEGATIVE.
3. MAXIMUM REINFORCEMENT SPACING ON THIS DUCT SECTION IS 10'-0".
4. THIS DUCT IS UNINSULATED.



DATE: 4-26-06	DATE: 06/05/06
DRAWN BY: JEN	DATE: 06/05/06
CHECKED BY:	DATE:
APPROVED BY:	DATE:
SCALE: 1/4"=1'-0"	FILE: 152456070
SIZE:	
PROJECT NUMBER: DDS40	REVISION: 0
TITLE: GENERAL ARRANGEMENT DUCT	REVISION: 0
PROJECT NUMBER: 1524	REVISION: 0
DRAWING NUMBER: 560-70	REVISION: 0
SHEET: 1 OF 1	

CITY OF STAMFORD CONNECTICUT
SOLIDS DRYING PROJECT
GENERAL ARRANGEMENT DUCT
RTO (540) TO STACK (550)
JOB NAME
TITLE
PROJECT NUMBER
DRAWING NUMBER
SHEET 1 OF 1

THIS DRAWING IS COPY RIGHTED
THIS DRAWING IS A TRADE SECRET AND ONLY ENTRUSTED TO THE RECEIVER
FOR HIS PERSONAL USE WITHOUT THE SIGNED WRITTEN CONSENT OF ANDRITZ-
RUTHNER, INC., IT MUST NOT BE COPIED NOR MADE AVAILABLE TO THIRD PARTIES.
INCLUDING COMPETITORS, NOR MADE ACCESSIBLE TO SUCH PARTIES. ANY ILLEGAL
USE BY THE RECEIVER OR THIRD PARTIES FOR WHICH HE IS RESPONSIBLE CAN
CONSTITUTE A CAUSE FOR LEGAL ACTION. THIS DRAWING MUST BE RETURNED ON
REQUEST OF THE COMPANY.

