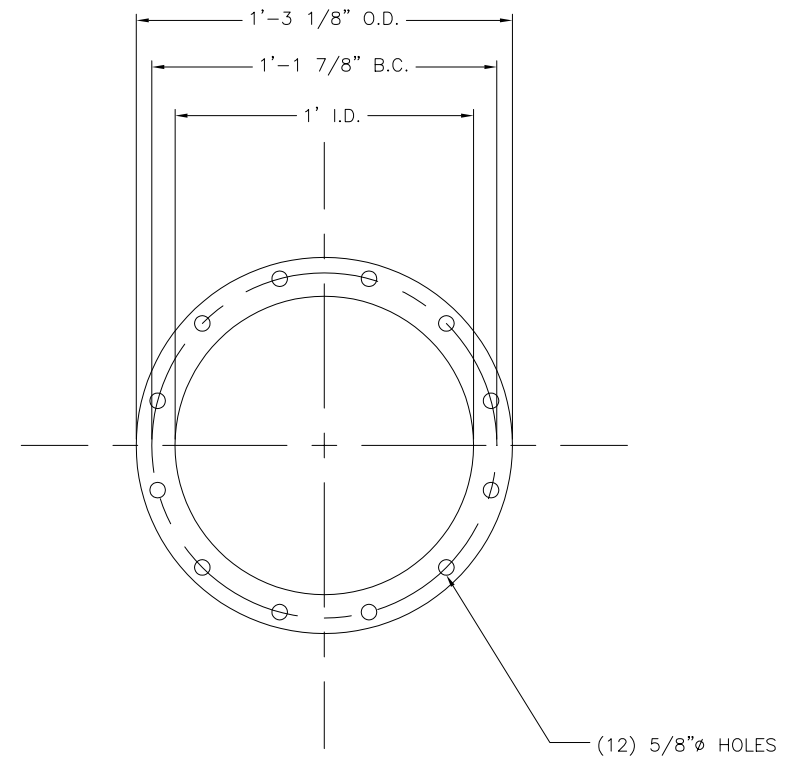
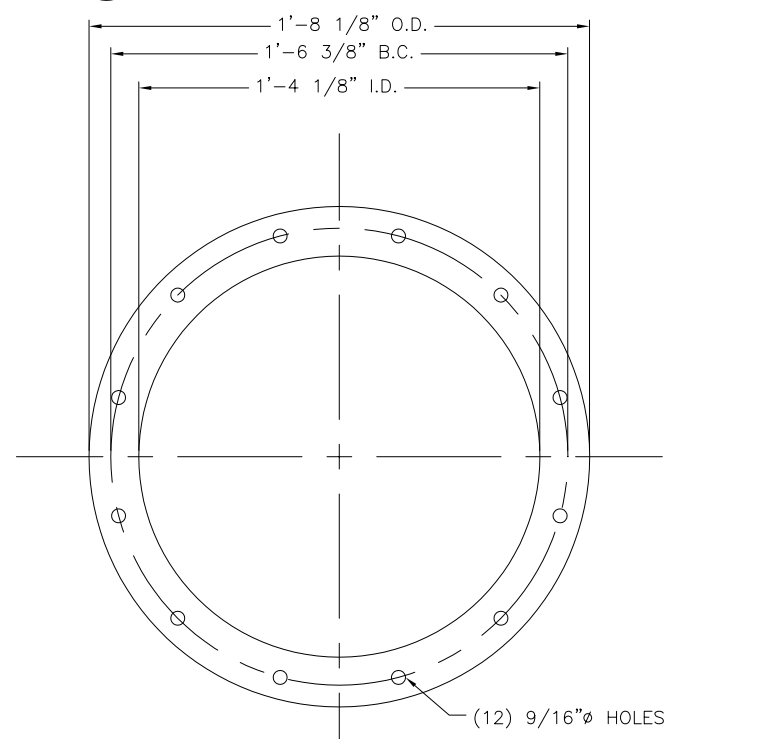


END VIEW

ELEVATION VIEW

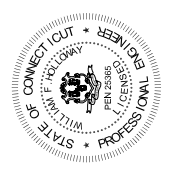


1 FAN INLET FLANGE DETAIL
3"=1'-0"



2 VENTURI OUTLET FLANGE DETAIL
3"=1'-0"

- NOTES:**
1. FOR GENERAL PROCESS DUCT FABRICATION NOTES SEE DRAWING 1524-560-20.
 2. DESIGN OPERATING PRESSURE FOR THIS DUCT SECTION IS 40"WG NEGATIVE.
 3. MAXIMUM REINFORCEMENT SPACING ON THIS DUCT SECTION IS 7'-0".
 4. THIS DUCT IS UNINSULATED.



REV	REVISION	DATE
0	FDR FINAL REVIEW/BUILDING PERMIT	06/05/06

DATE:	4-26-06
DRAWN BY:	JEN
CHECKED BY:	
APPROVED BY:	
SCALE:	3/4"=1'-0"
SIZE:	152456050

JOB NAME	CITY OF STAMFORD CONNECTICUT SOLIDS DRYING PROJECT
TITLE	GENERAL ARRANGEMENT DUCT VENTURI(510) TO VENTURI FAN(520)
PROJECT NUMBER	1524
DRAWING NUMBER	560-50
REV	0
SHEET	1 OF 1

THIS DRAWING IS COPY RIGHTED AND IS A TRADE SECRET AND ONLY ENTRUSTED TO THE RECEIVER FOR HIS PERSONAL USE. WITHOUT THE SIGNED WRITTEN CONSENT OF ANDRITZ-RUTHNER, INC., IT MUST NOT BE COPIED NOR MADE AVAILABLE TO THIRD PARTIES. INCLUDING COMPETITORS, NOR MADE ACCESSIBLE TO SUCH PARTIES. ANY ILLEGAL USE BY THE RECEIVER OR THIRD PARTIES FOR WHICH HE IS RESPONSIBLE CAN CONSTITUTE A CAUSE FOR LEGAL ACTION. THIS DRAWING MUST BE RETURNED ON REQUEST OF THE COMPANY.

