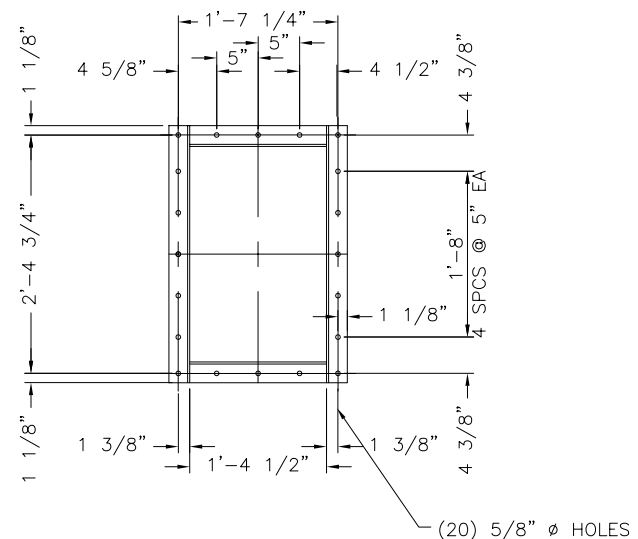
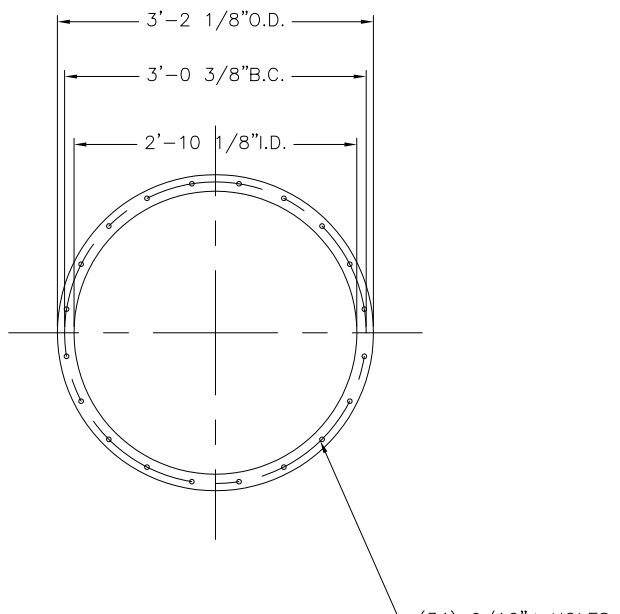


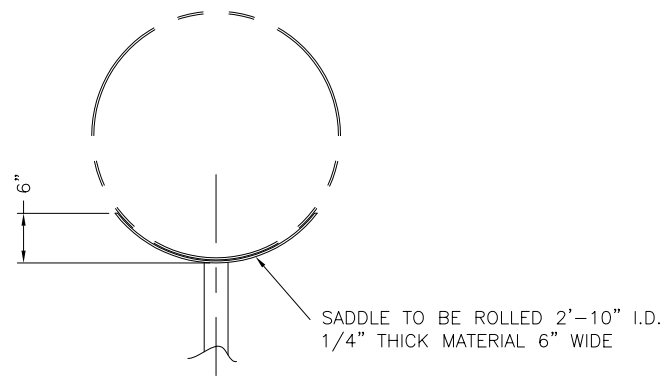
ELEVATION VIEW



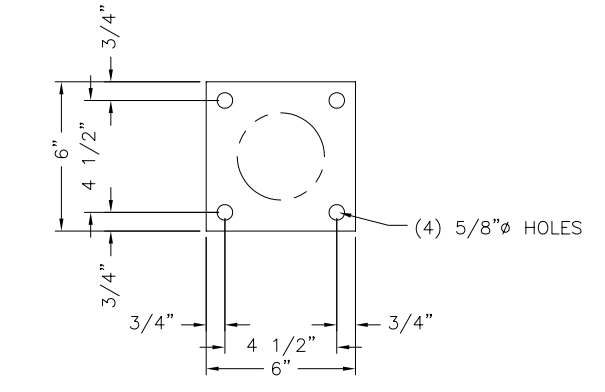
1 FLANGE DETAIL
1"=1'-0"



2 FLANGE DETAIL
1"=1'-0"

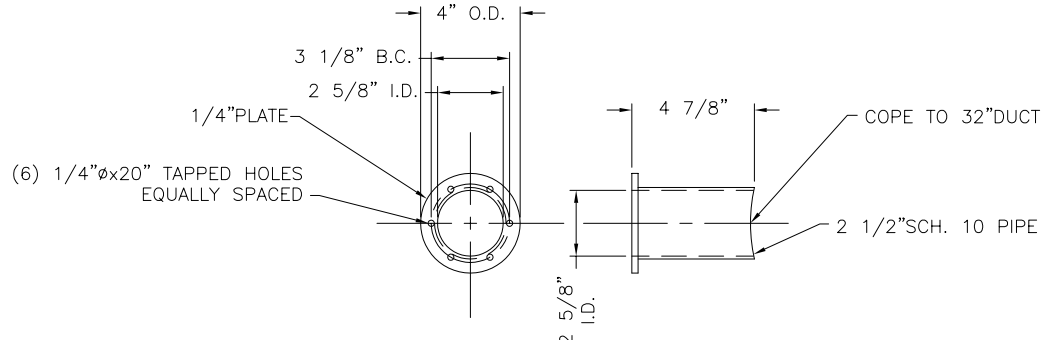


4 SUPORT DETAIL
1"=1'-0"



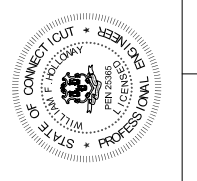
5 SUPPORT FOOTING DETAIL
3"=1'-0"

3 OXYGEN SENSOR MOUNTING DETAIL
3"=1'-0"



- NOTES:
- FOR GENERAL PROCESS DUCT FABRICATION NOTES SEE DRAWING 1524-560-20.
 - DESIGN OPERATING PRESSURE FOR THIS DUCT SECTION IS 30" WG NEGATIVE.
 - MAXIMUM REINFORCEMENT SPACING ON THIS DUCT SECTION IS 10'-0".

ANDRITZ
ANDRITZ-RUTHNER, INC.
1010 COMMERCIAL BLVD. SOUTH
ARLINGTON, TEXAS 76001
(817) 465-5611



DATE	06/05/06
REV	0
REVISION	FOR FINAL REVIEW/BUILDING PERMIT

DRAWN BY:	JEN	DATE:	04/20/06
CHECKED BY:		DATE:	
APPROVED BY:		DATE:	
SCALE:	1/2"=1'-0"	FILE:	1524-56030
SIZE:			

JOB NAME: CITY OF STAMFORD CONNECTICUT
SOLIDS DRYING PROJECT
TITLE: GENERAL ARRANGEMENT DUCT
I.D.FAN(005) TO SATURATOR(500)

PROJECT NUMBER	1524
DRAWING NUMBER	560-30
REV	0
SHEET	1 OF 1

THIS DRAWING IS COPY RIGHTED.
THIS DRAWING IS A TRADE SECRET AND ONLY ENTRUSTED TO THE RECEIVER FOR HIS PERSONAL USE. WITHOUT THE SIGNED WRITTEN CONSENT OF ANDRITZ-RUTHNER, INC., IT MUST NOT BE COPIED NOR MADE AVAILABLE TO THIRD PARTIES, INCLUDING COMPETITORS, NOR MADE ACCESSIBLE TO SUCH PARTIES. ANY ILLEGAL USE BY THE RECEIVER OR THIRD PARTIES FOR WHICH HE IS RESPONSIBLE CAN CONSTITUTE A CAUSE FOR LEGAL ACTION. THIS DRAWING MUST BE RETURNED ON REQUEST OF THE COMPANY.

