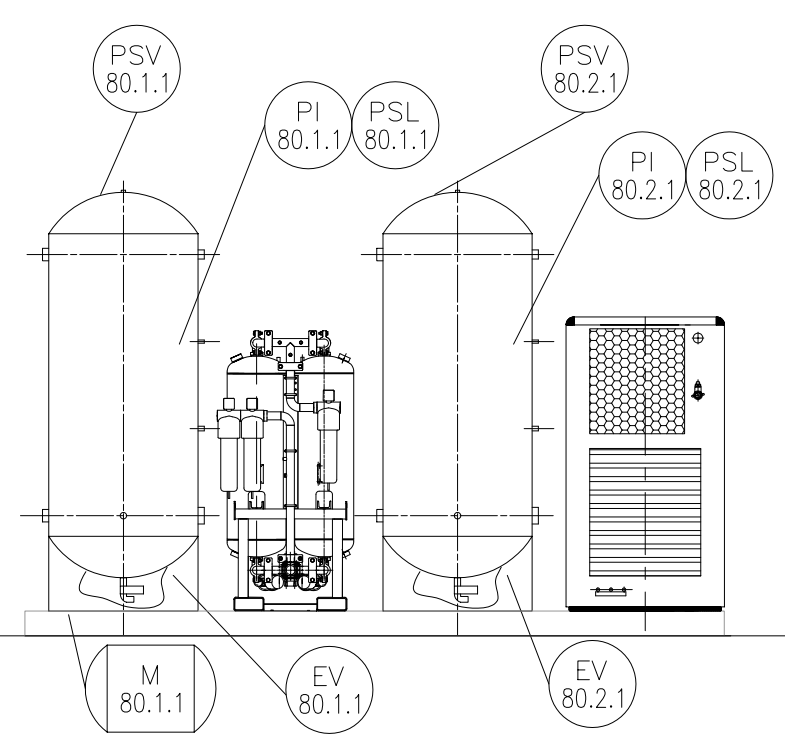
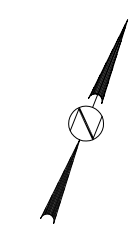


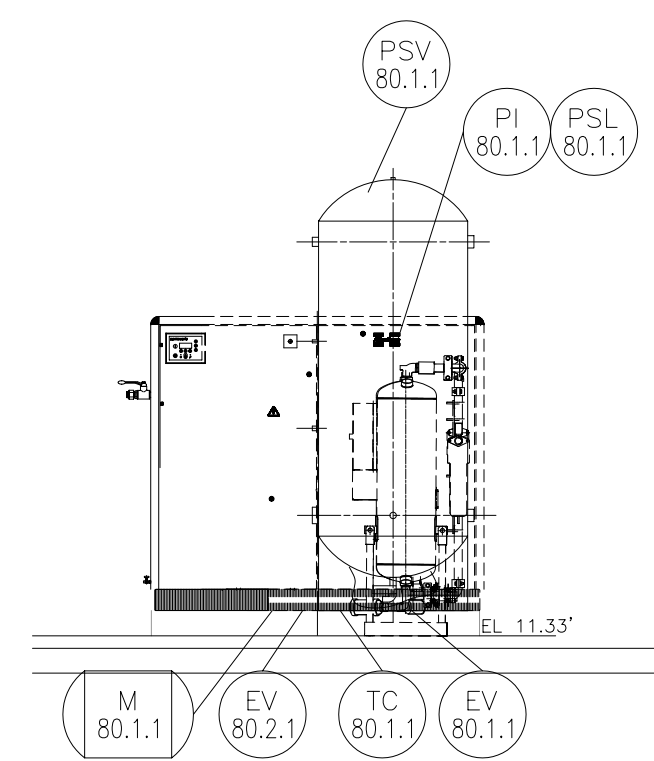
INSTALLATION NOTES:

- EQUIPMENT CONNECTION JOINTS TO BE GASKETED.
- GASKETS & HARDWARE PROVIDED BY ANDRITZ.
- CONTRACTOR TO PROVIDE FIELD DIMENSIONS REQUIRED FOR CHUTES AFTER EQUIPMENT IS INSTALLED.

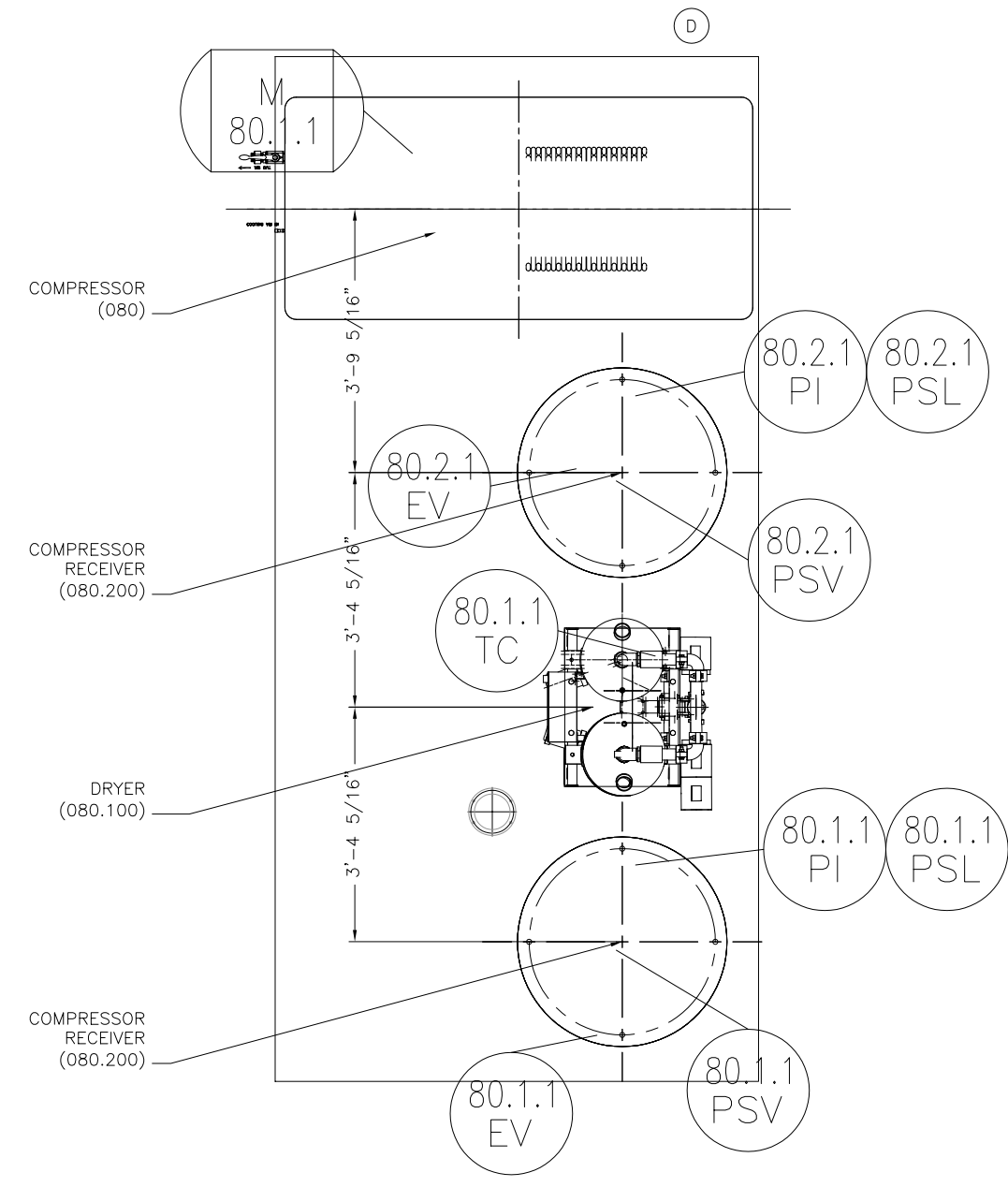
TAG	EQP'T	40.080.000
TAG	EQP'T	40.080.100
TAG	EQP'T	40.080.200



ELEVATION VIEW

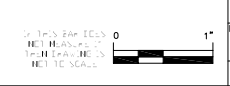


END VIEW



PLAN VIEW

THIS DRAWING IS COPY RIGHTED
 FOR HIS PERSONAL USE WITHOUT THE SIGNED WRITTEN CONSENT OF ANDRITZ-RUTHNER, INC. IT MUST NOT BE COPIED NOR MADE AVAILABLE TO THIRD PARTIES. INCLUDING COMPETITORS, NOR MADE ACCESSIBLE TO SUCH PARTIES. ANY ILLEGAL USE BY THE RECEIVER OR THIRD PARTIES FOR WHICH HE IS RESPONSIBLE CAN CONSTITUTE A CAUSE FOR LEGAL ACTION. THIS DRAWING MUST BE RETURNED ON REQUEST OF THE COMPANY.



DATE:	12/27/05	FILE:	152408020
CHECKED BY:	JEN	DATE:	01/24/07
APPROVED BY:		DATE:	06/05/06
SCALE:	3/4"=1'-0"	REV:	0
SIZE:		REV:	1
PROJECT NUMBER		1524	
DRAWING NUMBER		080-20	
SHEET		1 OF 1	
CITY OF STAMFORD CONNECTICUT SOLIDS DRYING PROJECT AIR COMPRESSOR & DRYER (080) INSTALLATION & UTILITIES DDS40			
1 UPDATED NOTES FOR FINAL REVIEW/BUILDING PERMIT			