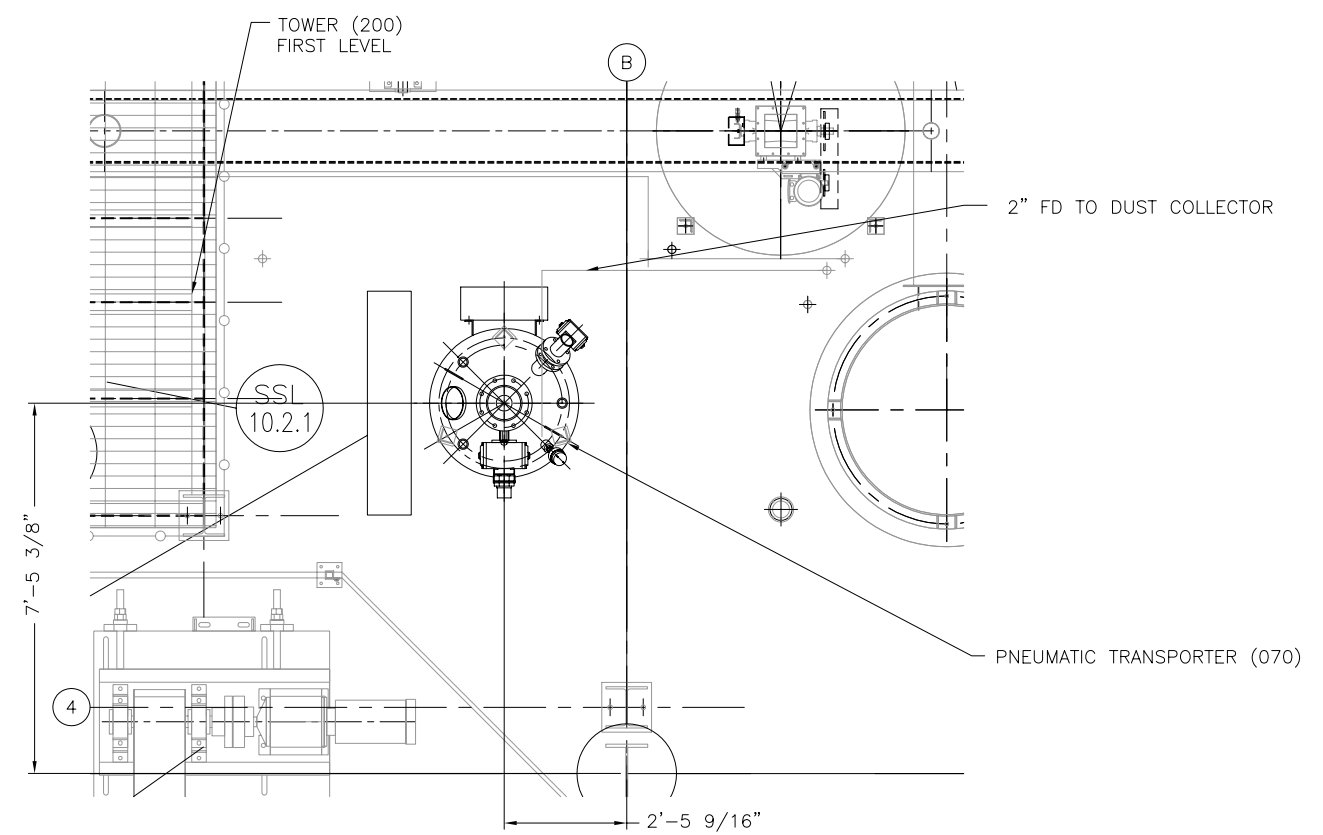


ELEVATION VIEW

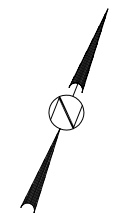


PLAN VIEW

INSTALLATION NOTES:

- EQUIPMENT CONNECTION JOINTS TO BE GASKETED.
- GASKETS & HARDWARE PROVIDED BY ANDRITZ.
- CONTRACTOR TO PROVIDE FIELD DIMENSIONS REQUIRED FOR CHUTES AFTER EQUIPMENT IS INSTALLED.

TAG EQP'T 40.070.000



REV	DESCRIPTION	DATE
0	FOR FINAL REVIEW/BUILDING PERMIT	06/05/06

DATE:	01/20/06
DRAWN BY:	SLR
CHECKED BY:	
APPROVED BY:	
SCALE:	1/2" = 1'-0"
SIZE:	
FILE:	152401020

JOB NAME	CITY OF STAMFORD CONNECTICUT SOLIDS DRYING PROJECT
TITLE	PNEUMATIC CONVEYOR (070) INSTALLATION & UTILITIES
PROJECT NUMBER	1524
DRAWING NUMBER	070-20
SHEET	1 OF 1

THIS DRAWING IS COPY RIGHTED.
 THIS DRAWING IS A TRADE SECRET AND ONLY ENTRUSTED TO THE RECEIVER FOR HIS PERSONAL USE. WITHOUT THE SIGNED WRITTEN CONSENT OF ANDRITZ-RUTHNER, INC., IT MUST NOT BE COPIED NOR MADE AVAILABLE TO THIRD PARTIES. INCLUDING COMPETITORS, NOR MADE ACCESSIBLE TO SUCH PARTIES. ANY ILLEGAL USE BY THE RECEIVER OR THIRD PARTIES FOR WHICH HE IS RESPONSIBLE CAN CONSTITUTE A CAUSE FOR LEGAL ACTION. THIS DRAWING MUST BE RETURNED ON REQUEST OF THE COMPANY.

