

REV	DATE	DESCRIPTION
0	06/05/06	FOR FINAL REVIEW/BUILDING PERMIT
1	01/24/07	UPDATED LAYOUT

DATE:	12/27/05
DRAWN BY:	JEN
CHECKED BY:	
APPROVED BY:	
SCALE:	1/2" = 1'-0"
FILE:	152403100
TITLE:	SILO AREA FUGITIVE DUST COLLECT (031) GENERAL ARRANGEMENT
PROJECT NUMBER:	1524
DRAWING NUMBER:	031-00
SHEET:	1 OF 1

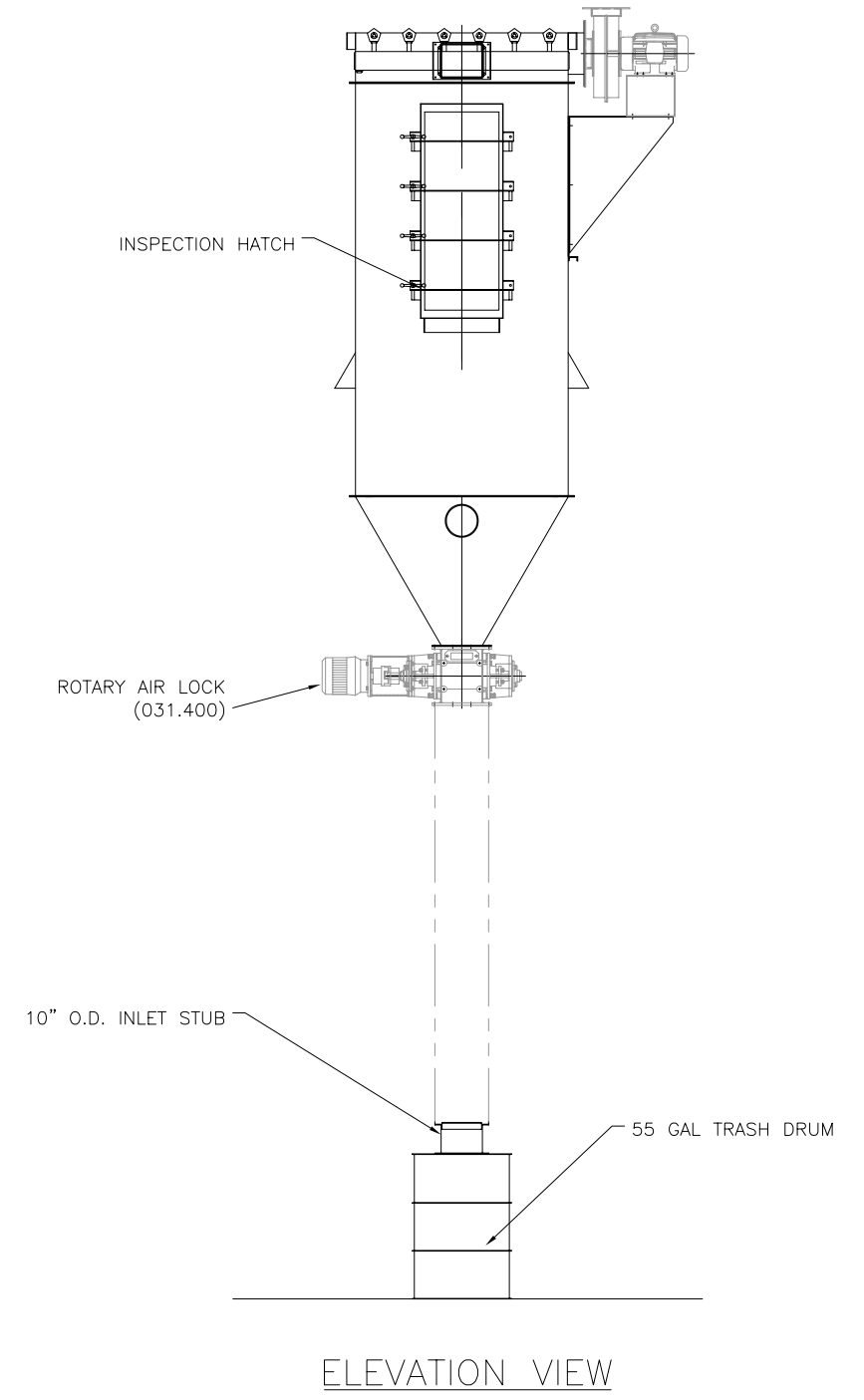
NOTES:

- MATERIAL OF CONSTRUCTION:
FILTER HOUSING - CARBON STEEL
TARGET PLATE 1/4" AR 320
- FILTER HOUSING SHALL BE DESIGNED FOR -20 WG.
- FILTER HOUSING SHALL BE EQUIPPED WITH FLANGE FOR MOUNTING OF EXPLOSION RELIEF PANEL.
- PROVIDE ROTARY AIR LOCK AT DISCHARGE OF HOPPER.
- ALL INSPECTION DOORS THAT PERMIT ACCESS TO MOVING PARTS SHALL BE BOLTED.
- PAINT SPECIFICATIONS:
FILTER HOUSING, FAN, AND ROTARY VALVE SHALL BE FINISH PAINTED. PAINT SYSTEM SHALL INCLUDE SP6 BLAST, 2.5 MILS DFT EPOXY PRIMER, AND 3.0 MILS DFT POLYURETHANE ENAMEL.
- FUGITIVE DUST FAN SHALL BE DIRECT DRIVE ARRANGEMENT 4 RADIAL BLADE FAN RATED FOR -15 INCHES W.G. AND 1400 ACFM
- FAN MOTOR SHALL BE PREMIUM EFFICIENCY.
- MANUFACTURER SHALL TAG ALL COMPONENTS BEFORE SHIPPING. ONE EXTRA COPY OF THE INSTALLATION INSTRUCTIONS SHALL BE INCLUDED IN SHIPMENT.
- BAG CLOTH NOT TO WEIGH MORE THAN 16 OZ. PER SQ. YARD.

EQUIPMENT SPECIFICATIONS

MANUFACTURER	MAC EQUIPMENT
MODEL	96AVS25
FAN MOTOR	10 HP 460/3/60 TEFC
AIR LOCK MOTOR	0.75 HP 460/3/60 TEFC
AIR FLOW	2,000 CFM
FILTER BAGS	96" 16 OZ. POLYESTER
GROUNDING WIRES	STAINLESS STEEL
CLOTH AREA	332 SQFT
RATIO	4.52:1 AIR TO CLOTH
EFFICIENCY	99.9% OF +2 MICRON
CONTROL PANEL	NEMA 4X
WEIGHT	2,160 LBS

TAG EQP'T 40.031.000



ELEVATION VIEW

THIS DRAWING IS COPY RIGHTED.
THIS DRAWING IS A TRADE SECRET AND ONLY ENTRUSTED TO THE RECEIVER FOR HIS PERSONAL USE. WITHOUT THE SIGNED WRITTEN CONSENT OF ANDRITZ-RUTHNER, INC., IT MUST NOT BE COPIED NOR MADE AVAILABLE TO THIRD PARTIES. INCLUDING COMPETITORS, NOR MADE ACCESSIBLE TO SUCH PARTIES. ANY ILLEGAL USE BY THE RECEIVER OR THIRD PARTIES FOR WHICH HE IS RESPONSIBLE CAN CONSTITUTE A CAUSE FOR LEGAL ACTION. THIS DRAWING MUST BE RETURNED ON REQUEST OF THE COMPANY.

