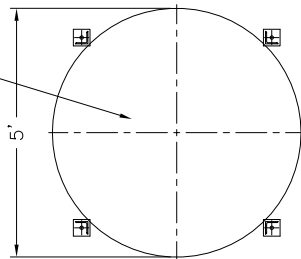
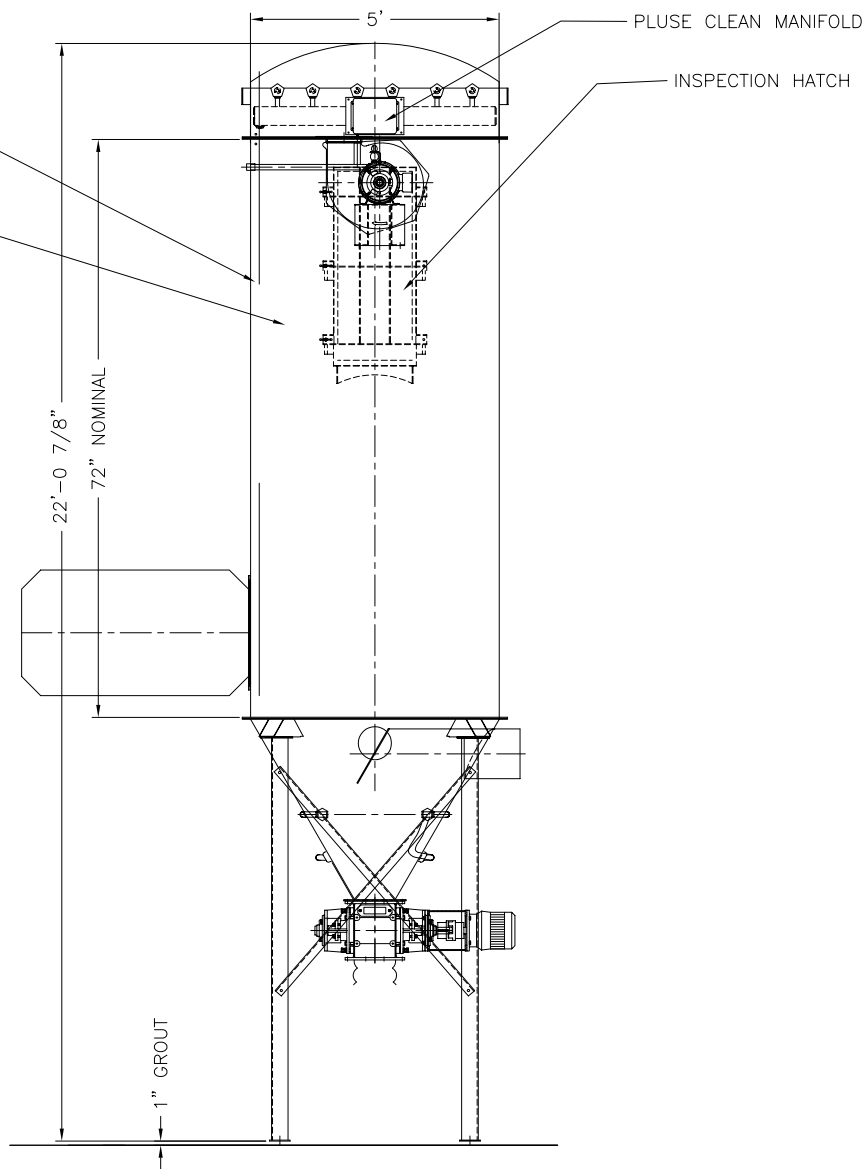


ROTARY VALVE (030.400)



DUST COLLECTOR(030.100)

16 OZ POLYESTER
FILTER BAGS (32)



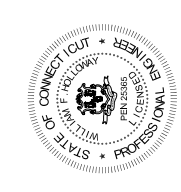
NOTES:

1. MATERIAL OF CONSTRUCTION:
FILTER HOUSING - CARBON STEEL
TARGET PLATE 1/4" AR 320
2. FILTER HOUSING SHALL BE DESIGNED FOR -17" HG. & 7 PSI Pred.
3. FILTER HOUSING SHALL BE EQUIPPED WITH FLANGE FOR MOUNTING OF EXPLOSION RELIEF VENT.
4. PROVIDE ROTARY AIR LOCK AT DISCHARGE OF HOPPER.
5. ALL INSPECTION DOORS THAT PERMIT ACCESS TO MOVING PARTS SHALL BE BOLTED.
6. PAINT SPECIFICATIONS:
FILTER HOUSING, FAN, AND ROTARY VALVE SHALL BE FINISH PAINTED. PAINT SYSTEM SHALL INCLUDE SP6 BLAST, 2.5 MILS DFT EPOXY PRIMER, AND 3.0 MILS DFT POLYURETHANE ENAMEL.
7. FUGITIVE DUST FAN SHALL BE DIRECT DRIVE ARRANGEMENT 4 RADIAL BLADE FAN RATED FOR -15 INCHES W.G. AND 1800 ACFM
8. FAN MOTOR SHALL BE PREMIUM EFFICIENCY.
9. MANUFACTURER SHALL TAG ALL COMPONENTS BEFORE SHIPPING. ONE EXTRA COPY OF THE INSTALLATION INSTRUCTIONS SHALL BE INCLUDED IN SHIPMENT.
10. BAG CLOTH NOT TO WEIGH LESS THAN 16 OZ. PER SQ. YARD.

EQUIPMENT SPECIFICATIONS

MANUFACTURER	MAC EQUIPMENT
MODEL	96AVR32
FAN MOTOR	15 HP 460/3/60 TEFC
AIR LOCK MOTOR	3/4HP 460/3/60 TEFC
AIR FLOW	2,500 CFM
FILTER BAGS	96" 16 OZ. POLYESTER
GROUNDING WIRES	STAINLESS STEEL
CLOTH AREA	291 SQFT
RATIO	6.36:1 AIR TO CLOTH
EFFICIENCY	99.9% OF +2 MICRON
CONTROL PANEL	NEMA 4X
WEIGHT	3,660 LBS

TAG EQP'T 40.030.000



DATE:	12/27/05
DRAWN BY:	JEN
CHECKED BY:	
APPROVED BY:	
SCALE:	1/2"=1'-0"
FILE:	152403000
DATE:	01/17/07
REV:	0
REV:	1
DATE:	06/05/06
REV:	0
DATE:	01/17/07
REV:	0

JOB NAME	CITY OF STAMFORD CONNECTICUT SOLIDS DRYING PROJECT
TITLE	FUGITIVE DUST COLLECTOR (030) GENERAL ARRANGEMENT
PROJECT NUMBER	1524
DRAWING NUMBER	030-00
SHEET	1 OF 1

THIS DRAWING IS COPY RIGHTED FOR HIS PERSONAL USE WITHOUT THE SIGNED WRITTEN CONSENT OF ANDRITZ-RUTHNER, INC. IT MUST NOT BE COPIED NOR MADE AVAILABLE TO THIRD PARTIES. INCLUDING COMPETITORS, NOR MADE ACCESSIBLE TO SUCH PARTIES. ANY ILLEGAL USE BY THE RECEIVER OR THIRD PARTIES FOR WHICH HE IS RESPONSIBLE CAN CONSTITUTE A CAUSE FOR LEGAL ACTION. THIS DRAWING MUST BE RETURNED ON REQUEST OF THE COMPANY.

