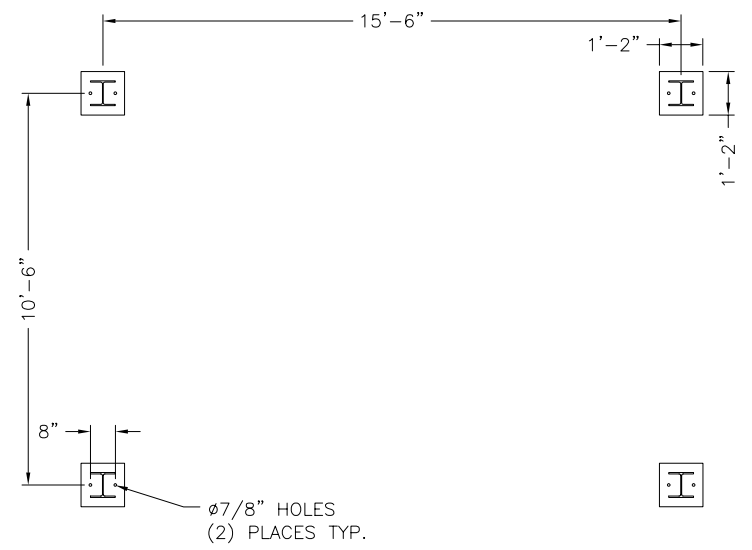
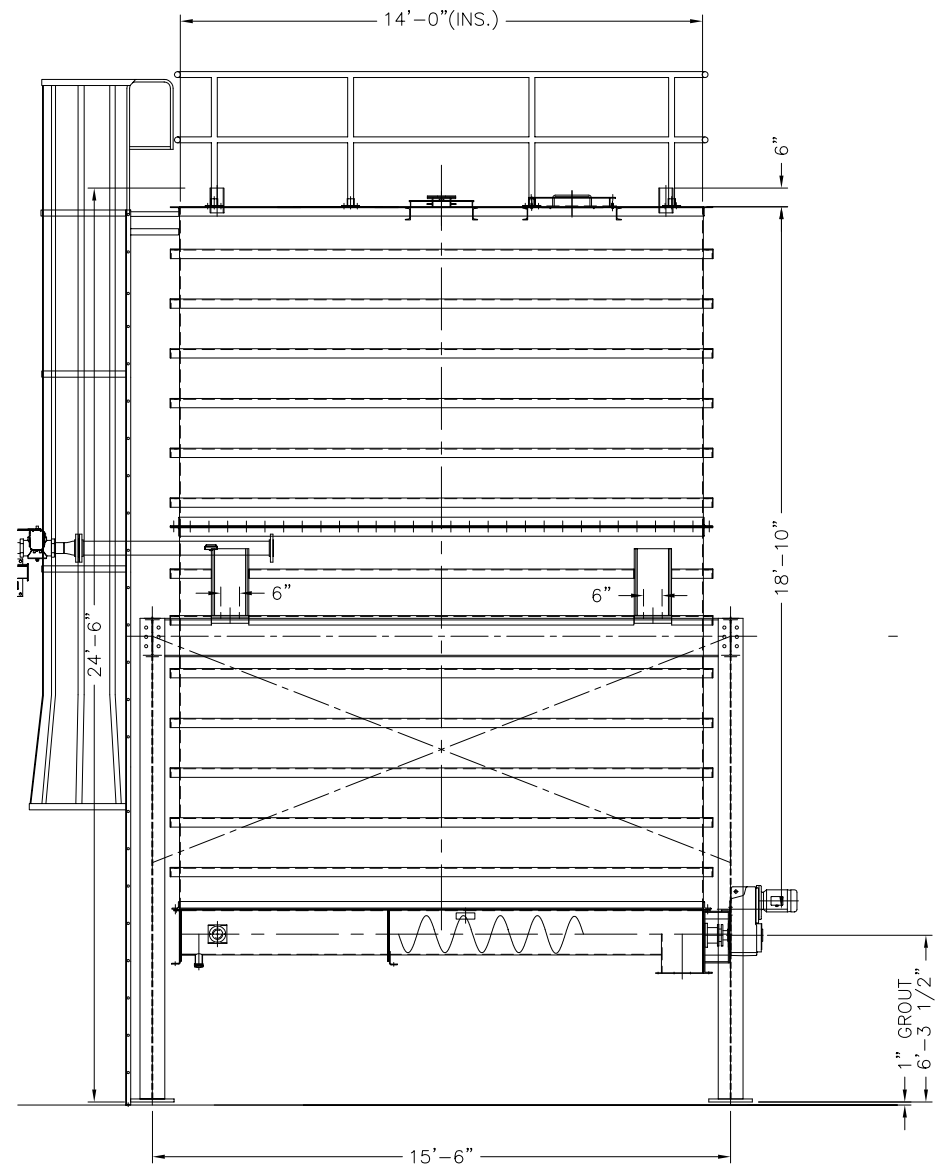


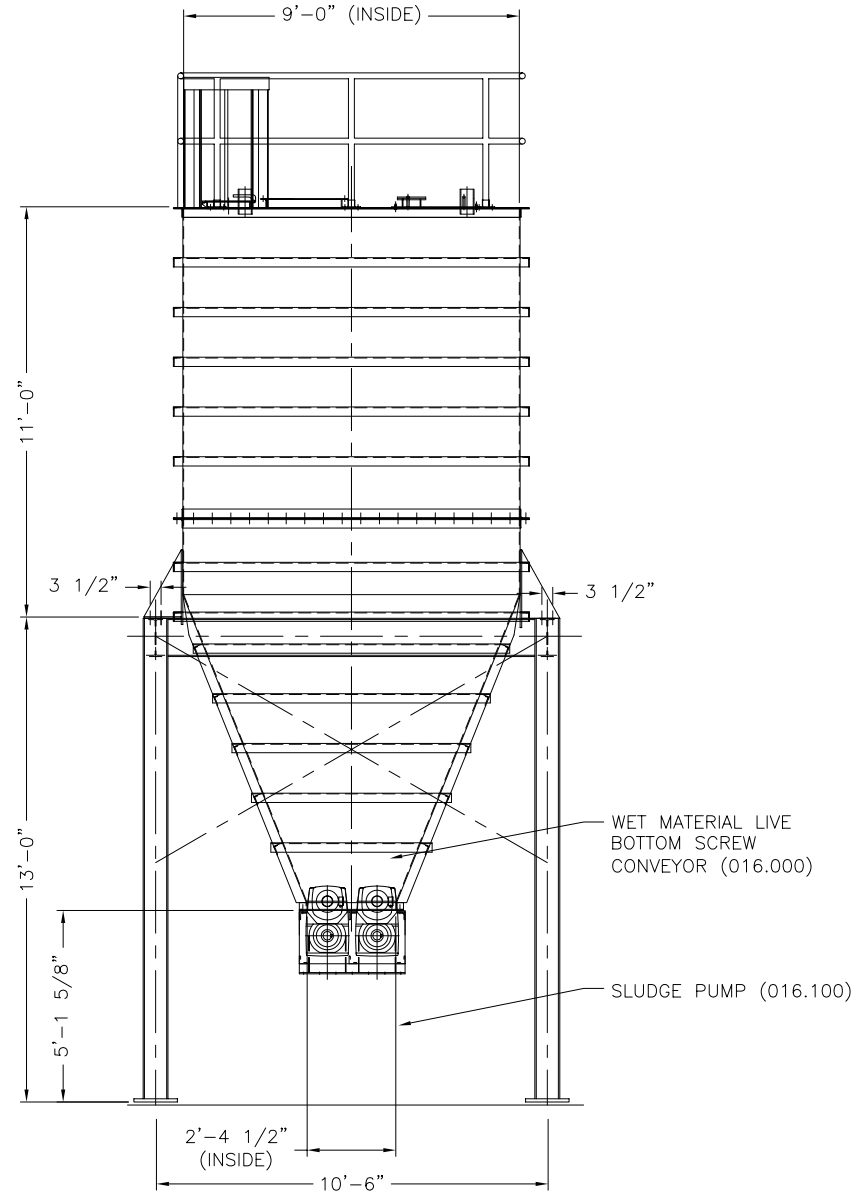
PLAN VIEW



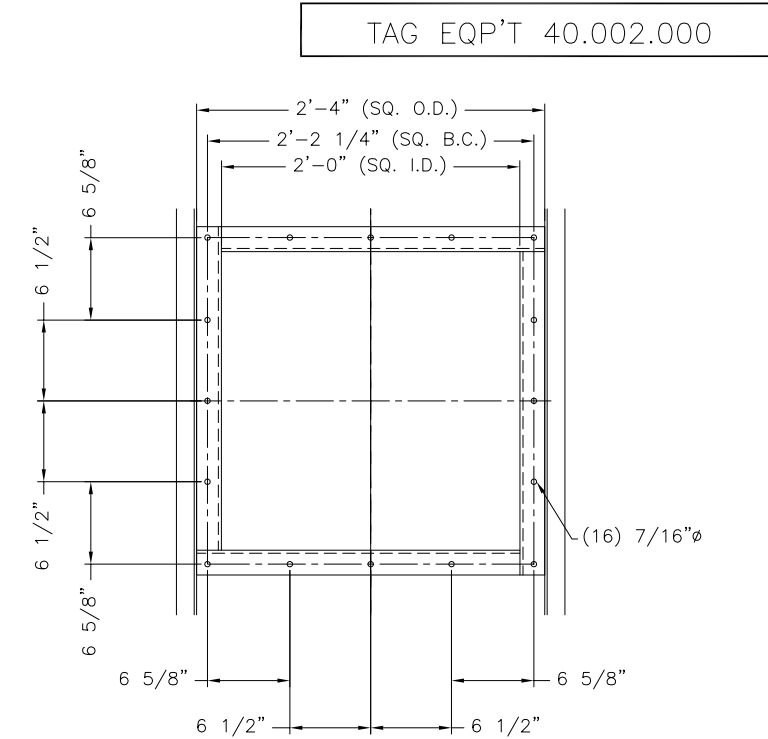
BASE PLATE LAYOUT



ELEVATION VIEW



SIDE VIEW



1 DETAIL
1 1/2"=1'-0"

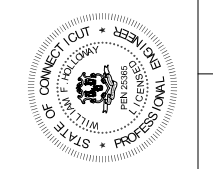
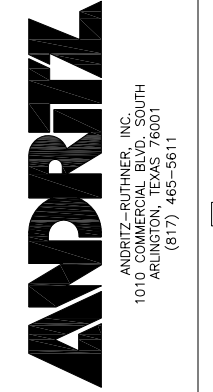
NOTES:

- ALL STRUCTURAL STEEL TO BE A36 OR A992 PER AISC STANDARDS UNLESS OTHERWISE NOTED. MATERIAL HOPPER - CARBON STEEL W/COAL TAR EPOXY PAINT. STIFFENERS AND FLANGES - A36.
- ALL WELDED CONSTRUCTION UNLESS NOTED OTHERWISE. WELDING PER AWS STANDARDS.
- ALL STRUCTURAL AND SEAM WELDS TO BE FULL PENETRATION UNLESS NOTED OTHERWISE. ALL REMAINING WELDS TO BE 3/16" CONTINUOUS FILLET UNLESS NOTED OTHERWISE.
- ALL WELDS TO BE GAS BUBBLE FREE AND CLEANED.
- CARBON STEEL PAINT SPECIFICATIONS:
EXTERIOR:
SURFACE PREPARATION: DRY ABRASIVE COMMERCIAL BLAST PER SSPC-SP6.-ANCHOR PROFILE: 1.5 - 2 MILS
PRIMER COAT: SPRAY APPLY ONE COAT SHERWIN WILLIAMS RECOATABLE EPOXY PRIMER, DRY FILM THICKNESS 4 MILS.
FINISH COAT - SPRAY APPLY ONE COAT SHERWIN WILLIAMS HI SOLIDS POLYURETHANE, DRY FILM THICKNESS OF 3 MILS. COLOR: SLATE GRAY SW
- FABRICATOR TO SUPPLY ALL FASTENERS INCLUDING BOLTS, NUTS, FLAT AND LOCK WASHERS, GRATING CLIPS, AND ALL OTHER MISCELLANEOUS HARDWARE.
- BOLTED STRUCTURAL CONNECTIONS TO BE ASTM A-325 UNLESS OTHERWISE NOTED.
- ALL HANDRAIL AND LADDERS TO BE FABRICATED PER OSHA STANDARDS. LADDERS TO USE NON-SLIP RUNGS.
- ALL GRATING TO BE 1-1/2" ALUMINUM.
- ALL HANDRAIL TO BE ANODIZED ALUMINUM.
- FASTENERS AND SADDLE CLIPS FOR GRATING INSTALLATION SHALL BE STAINLESS STEEL.
- STEEL FABRICATORS TO TAG ALL COMPONENTS (BEFORE SHIPPING) FOR ASSEMBLY. PROVIDE ONE EXTRA COPY OF INSTALLATION INSTRUCTIONS WITH SHIPMENT.

EQUIPMENT SPECIFICATIONS

MANUFACTURER	ANDRITZ
MODEL	DDS 40-015
CAPACITY	2050 CU.FT.
THROUGH-PUT	350 CU.FT./HR
OPERATING WEIGHT	138,000 LBS

TAG EQP'T 40.002.000



DATE	12/22/05	DATE	01/25/07
DRAWN BY	JEN	DATE	06/05/06
CHECKED BY		REV	0
APPROVED BY		REV	1
SCALE	3/8"=1'-0"	FILE	152401500
TITLE	DDS40	REVISION	
PROJECT NUMBER	1524	DATE	06/05/06
DRAWING NUMBER	015-00	DATE	01/25/07
SHEET	1 OF 1		

CITY OF STAMFORD CONNECTICUT
SOLIDS DRYING PROJECT
WET MATERIAL BIN (015)
GENERAL ARRANGMENT

THIS DRAWING IS COPY RIGHTED
FOR HIS PERSONAL USE WITHOUT THE SIGNED WRITTEN CONSENT OF ANDRITZ-RUTHNER, INC. IT MUST NOT BE COPIED NOR MADE AVAILABLE TO THIRD PARTIES. INCLUDING COMPETITORS, NOR MADE ACCESSIBLE TO SUCH PARTIES. ANY ILLEGAL USE BY THE RECEIVER OR THIRD PARTIES FOR WHICH HE IS RESPONSIBLE CAN CONSTITUTE A CAUSE FOR LEGAL ACTION. THIS DRAWING MUST BE RETURNED ON REQUEST OF THE COMPANY.