

INSTALLATION NOTES:

1. EQUIPMENT CONNECTION JOINTS TO BE GASKETED.
2. GASKETS & HARDWARE PROVIDED BY ANDRITZ.
3. CONTRACTOR TO PROVIDE FILED DIMENSIONS REQUIRED FOR CHUTES AFTER EQUIPMENT IS INSTALLED.

TAG EQP'T 40.009.000



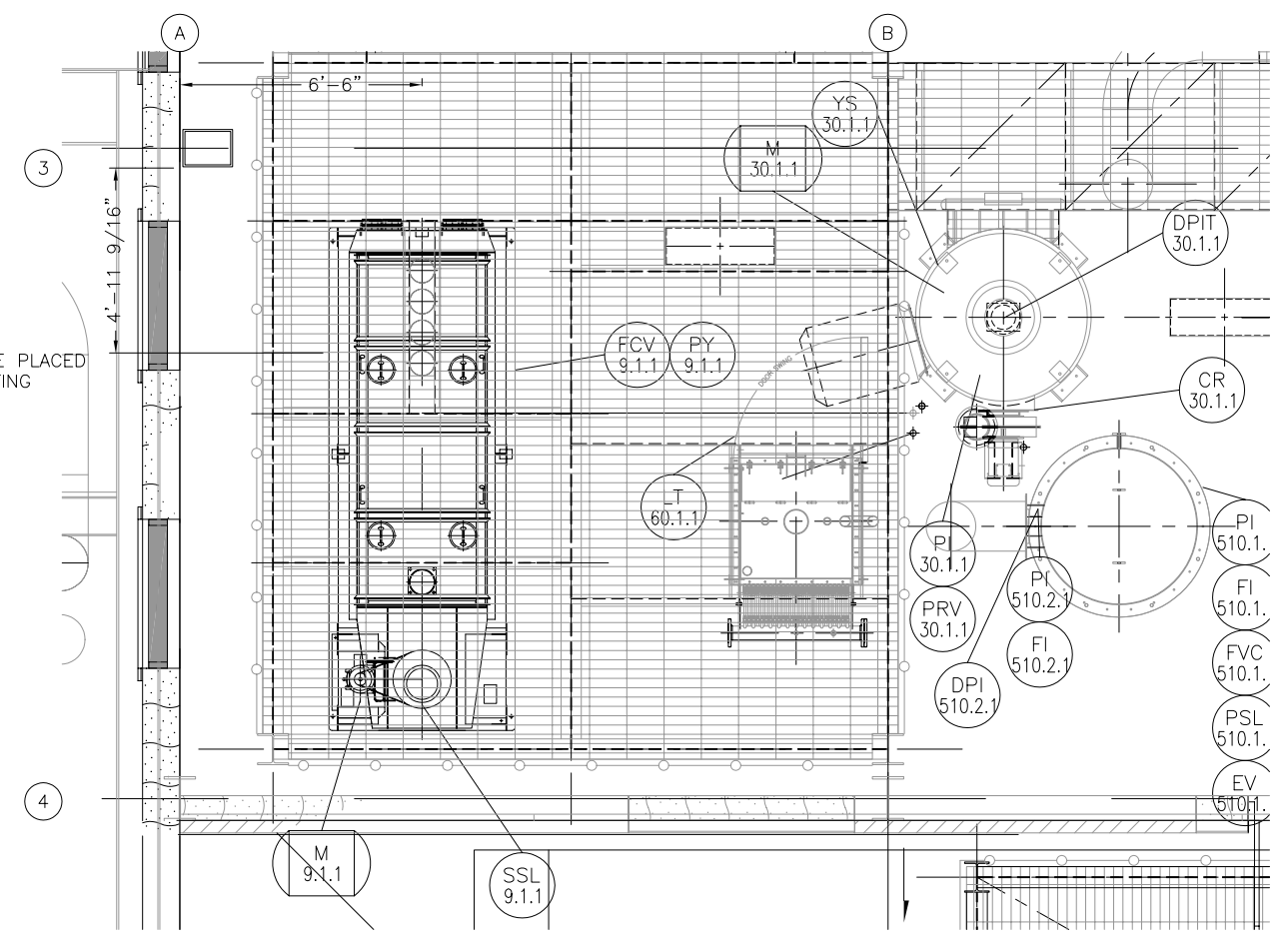
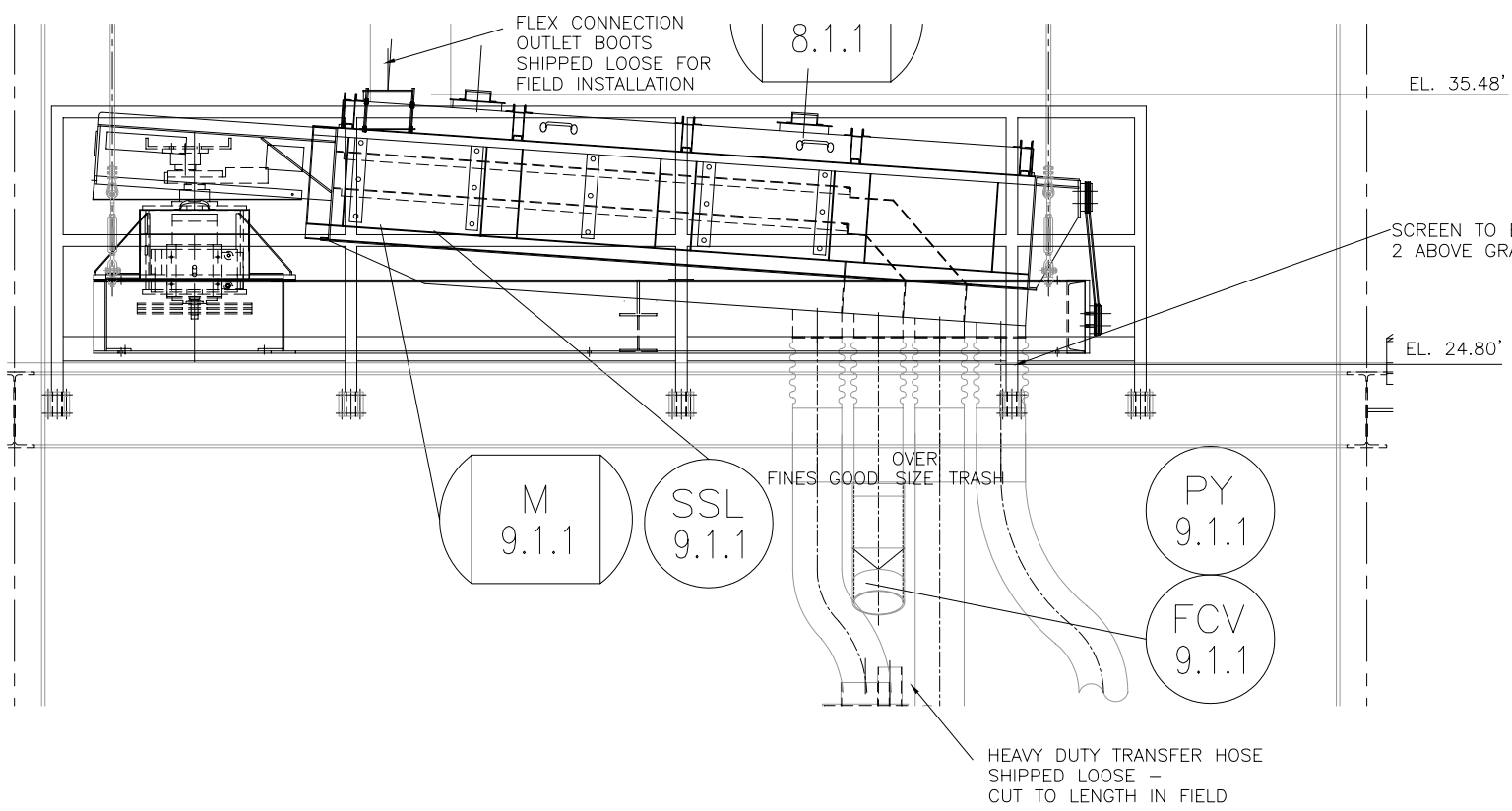
01/16/07
06/05/06
DATE

1 UPDATE LAYOUT
0 FOR FINAL REVIEW/BUILDING PERMIT
REV

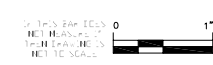
DATE: 12/20/05
DRAWN BY: JEN
CHECKED BY:
APPROVED BY:
SCALE: 3/4"=1'-0"
FILE: 152400920
SIZE

CITY OF STAMFORD CONNECTICUT
SOLIDS DRYING PROJECT
JOB NAME
PROJECT NUMBER
1524
TITLE
PRODUCT SIZING SCREEN (009)
INSTALLATION & UTILITIES

DRAWING NUMBER
009-20
SHEET 1 OF 1
REV 1



SCALE: 3/8"=1'-0"



THIS DRAWING IS COPY RIGHTED
 FOR HIS PERSONAL USE WITHOUT THE SIGNED WRITTEN CONSENT OF ANDRITZ-RUTHNER, INC. IT MUST NOT BE COPIED NOR MADE AVAILABLE TO THIRD PARTIES. INCLUDING COMPETITORS, NOR MADE ACCESSIBLE TO SUCH PARTIES. ANY ILLEGAL USE BY THE RECEIVER OR THIRD PARTIES FOR WHICH HE IS RESPONSIBLE CAN CONSTITUTE A CAUSE FOR LEGAL ACTION. THIS DRAWING MUST BE RETURNED ON REQUEST OF THE COMPANY.