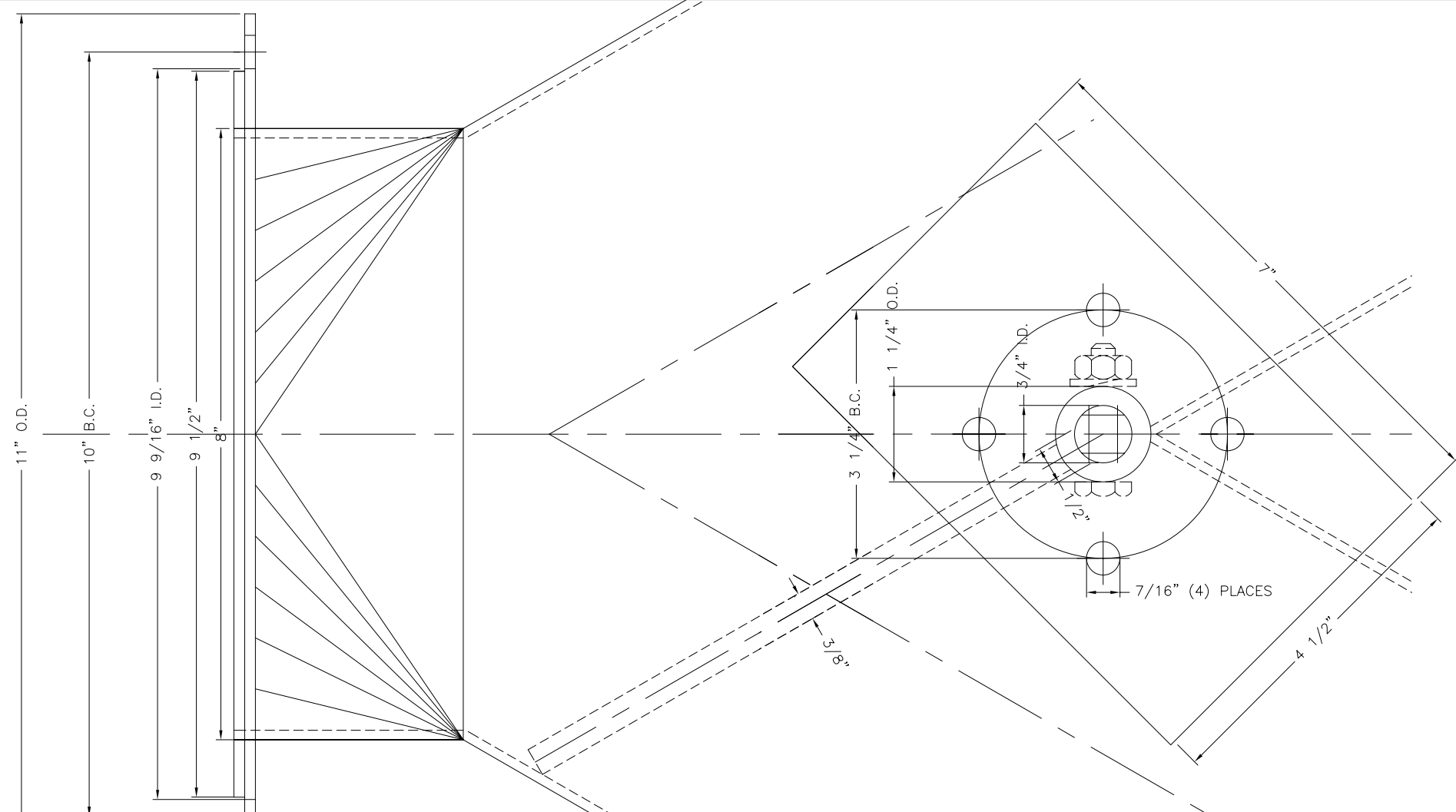


DATE: 06/05/06	DATE: 06/05/06
DRAWN BY: JEN	CHECKED BY:
APPROVED BY:	DATE: 06/05/06
SCALE: 1"=1'-0"	FILE: 152400916
SIZE: 11x17	REV: 0
PROJECT NUMBER: DDS40	REVISION: FOR FINAL REVIEW/BUILDING PERMIT

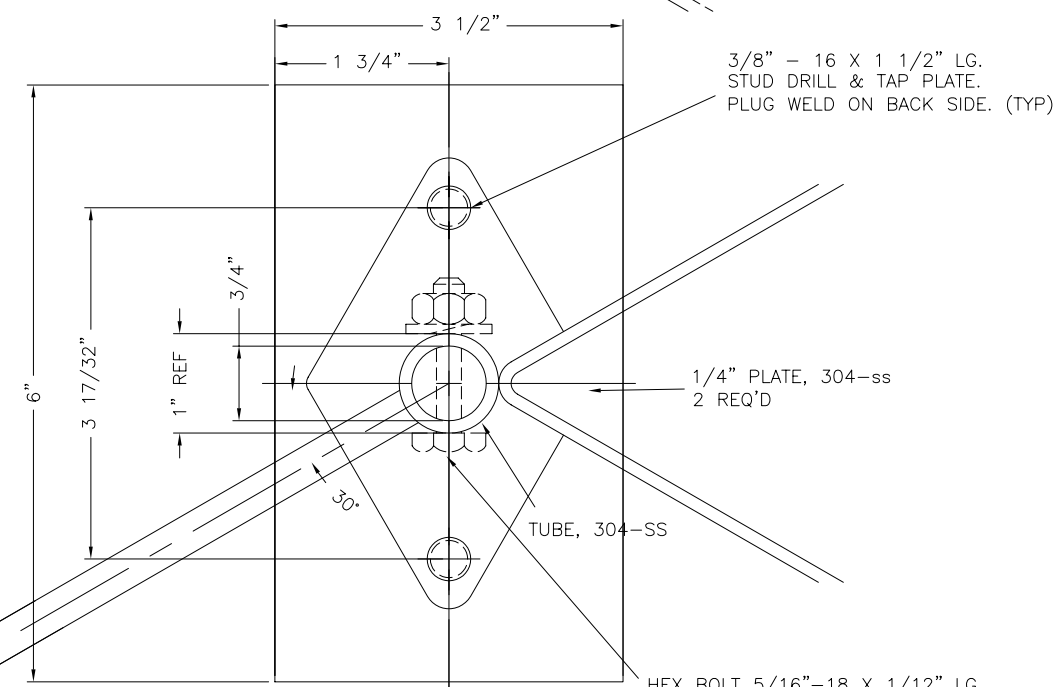
JOB NAME: CITY OF STAMFORD CONNECTICUT SOLIDS DRYING PROJECT	TITLE: PRODUCT SIZING SCREEN (009) DETAILS
PROJECT NUMBER: 1524	DRAWING NUMBER: 009-16
REVISION: 0	SHEET: 1 OF 1



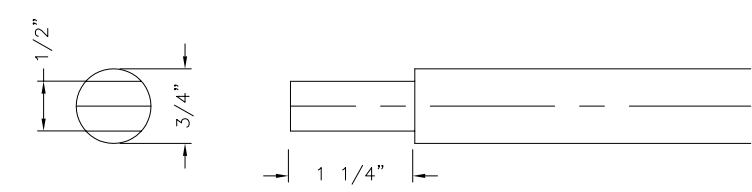
1 DETAIL  
1"=1'-0"

2 VIEW  
1"=1'-0"

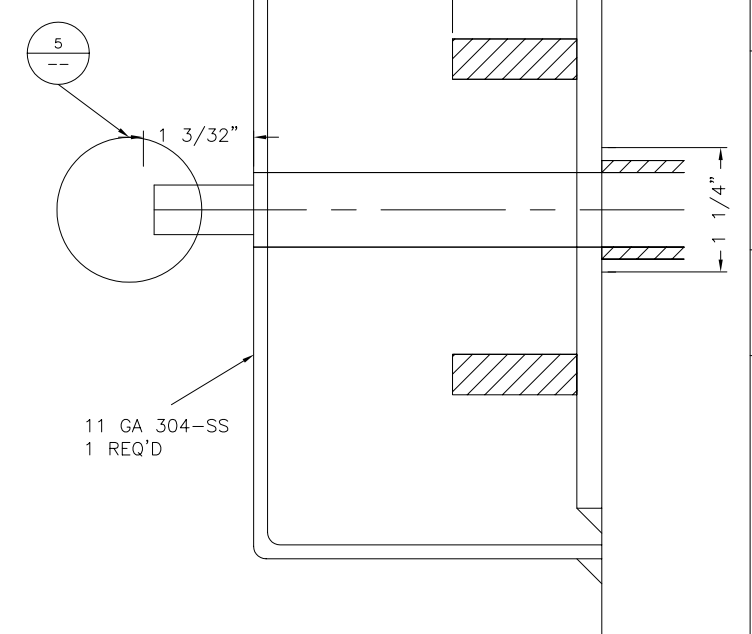
B DETAIL  
1"=1'-0"



C PLAN VIEW  
1"=1'-0"



5 DETAIL  
1"=1'-0"



11 GA 304-SS  
1 REQ'D

NOTES:  
1. FOR GENERAL NOTES, SEE DWG 009-15.

TAG EQP'T 60.009.310

THIS DRAWING IS COPYRIGHTED AND IS A TRADE SECRET AND ONLY ENTRUSTED TO THE RECEIVER FOR HIS PERSONAL USE. WITHOUT THE SIGNED WRITTEN CONSENT OF ANDRITZ-RUTHNER, INC., IT MUST NOT BE COPIED, REPRODUCED, OR MADE ACCESSIBLE TO THIRD PARTIES. ANY UNAUTHORIZED USE BY THE RECEIVER OR THIRD PARTIES FOR WHICH HE IS RESPONSIBLE CAN CONSTITUTE A CAUSE FOR LEGAL ACTION. THIS DRAWING MUST BE RETURNED ON REQUEST OF THE COMPANY.

