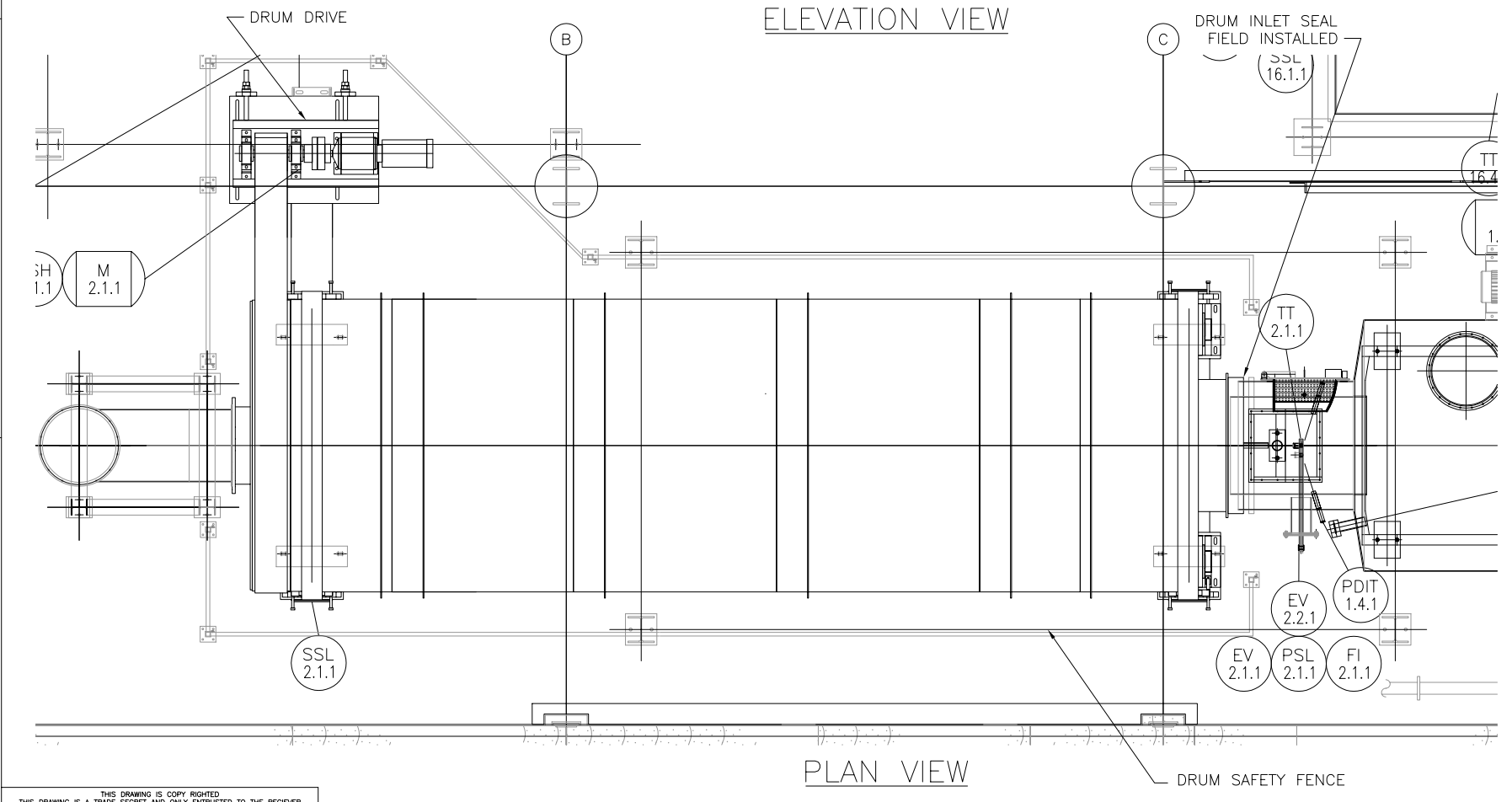


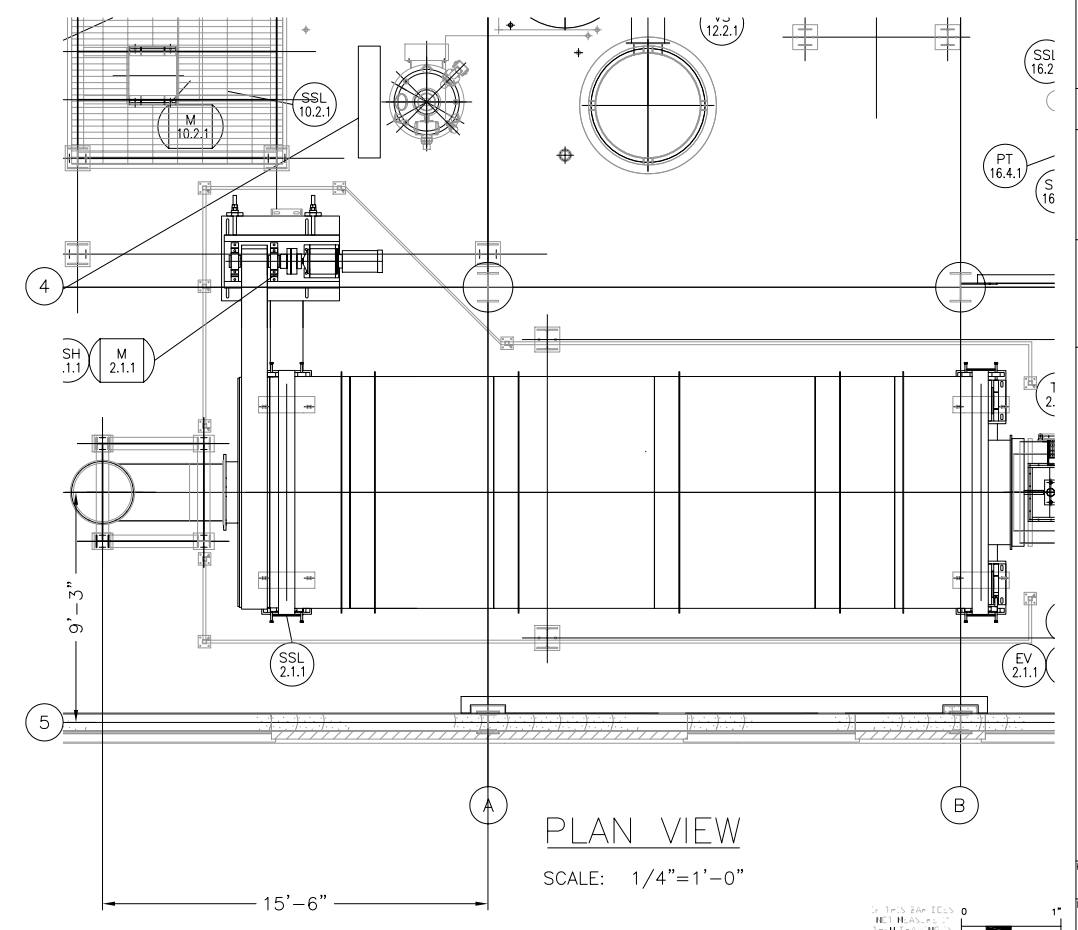
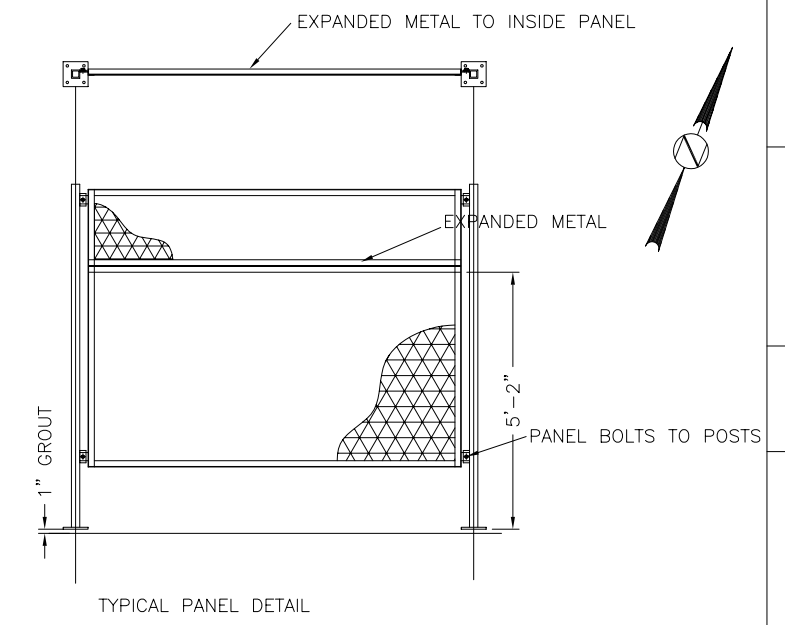
ELEVATION VIEW



PLAN VIEW

INSTALLATION NOTES:
 1. EQUIPMENT CONNECTION JOINTS TO BE GASKETED.
 2. GASKETS & HARDWARE PROVIDED BY ANDRITZ.
 3. CONTRACTOR TO PROVIDE FILED DIMENSIONS REQUIRED FOR CHUTES AFTER EQUIPMENT IS INSTALLED.

TAG EQP'T 40.002.000



ANDRITZ
 ANDRITZ-RUTHNER, INC.
 1010 COMMERCIAL BLVD., SOUTH
 ARLINGTON, TEXAS 76001
 (817) 465-5611

STATE OF CONNECTICUT
 PROFESSIONAL ENGINEER
 PEN 2686
 L. CECILIO

DATE:	12/19/05
DRAWN BY:	JEN
CHECKED BY:	
APPROVED BY:	
SCALE:	3/8"=1'-0"
FILE:	152-400220
SIZE:	

Drawing Title: **DRUM DRYER (002) INSTALLATION & UTILITIES**

Project Number: **1524**

Drawing Number: **002-20**

Sheet: **1 OF 1**

REV	DATE	DESCRIPTION
0	06/05/06	FOR FINAL REVIEW/BUILDING PERMIT
1	01/16/07	UPDATE LAYOUT

THIS DRAWING IS COPY RIGHTED
 THIS DRAWING IS A TRADE SECRET AND ONLY ENTRUSTED TO THE RECEIVER FOR HIS PERSONAL USE. WITHOUT THE SIGNED WRITTEN CONSENT OF ANDRITZ-RUTHNER, INC., IT MUST NOT BE COPIED NOR MADE AVAILABLE TO THIRD PARTIES, INCLUDING COMPETITORS, NOR MADE ACCESSIBLE TO SUCH PARTIES. ANY LEGAL USE BY THE RECEIVER OR THIRD PARTIES FOR WHICH HE IS RESPONSIBLE CAN CONSTITUTE A CAUSE FOR LEGAL ACTION. THIS DRAWING MUST BE RETURNED ON REQUEST OF THE COMPANY.