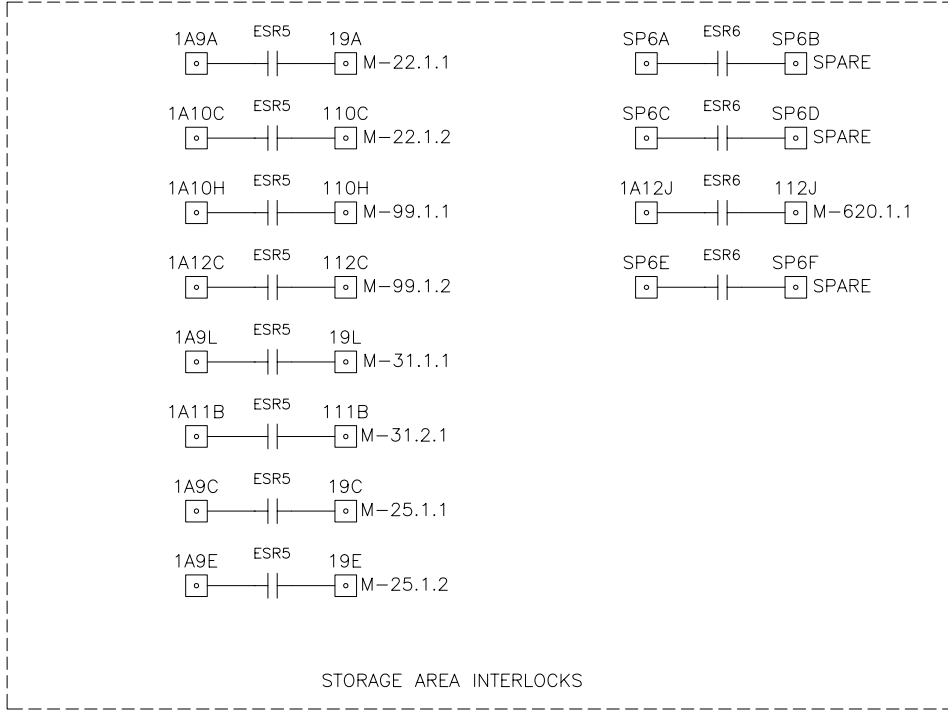


DRYER GROUP INTERLOCKS

WIRING SYSTEM	WIRE COLOR	WIRE SIZE
DISCRETE INPUTS	RED	#14
DISCRETE OUTPUTS	YELLOW	#14
ANALOG INPUTS	SHL 2COND. CABLE	#18
ANALOG OUTPUTS	SHL 2COND. CABLE	#18
120 VAC HOT	RED	#14
120 VAC NEUTRAL	WHITE	#14
120 VAC GROUND	GREEN	#14
24 VDC PLUS	BLUE	#14
24 VDC MINUS	BLUE/WHITE	#14
	BROWN	AS NOTED

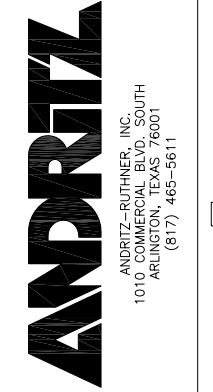
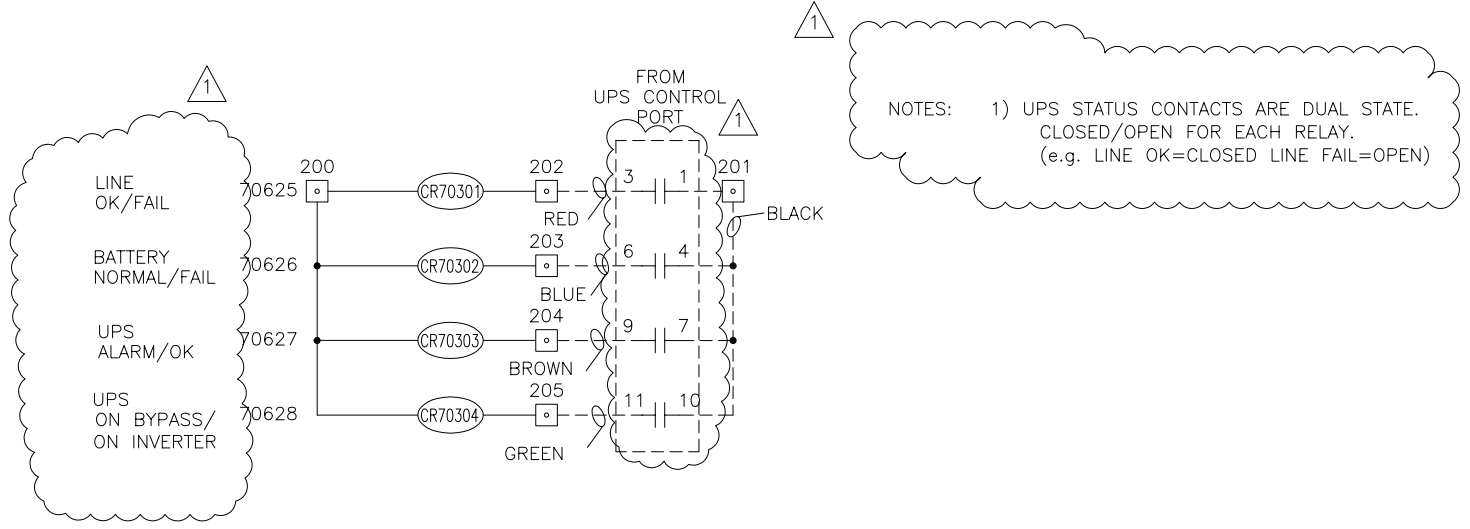


STORAGE AREA INTERLOCKS

LEGEND

- # - BUCKET TERMINAL
- #X1 - (X1 DENOTES BUCKET NUMBER)
- - MCC CONTROL PANEL TERMINAL
- - TERMINALS IN RIO-10 PANEL
- - TERMINALS IN TRUCK LOADOUT PANEL RIO-50
- ⊙ - TERMINALS IN I/O MODULE
- ◐ - TERMINALS IN LOCAL MOTOR CONTROL STATION
- - TERMINALS IN BURNER MANAGEMENT PANEL
- ▣ - TERMINALS IN PNEUMATIC CONVEYING SYSTEM
- ⊗ - TERMINALS IN CENTRIFUGE OPERATOR PANEL
- ⊘ - TERMINALS IN CENTRIFUGE STARTER PANEL
- ⊚ - TERMINALS IN CENTRIFUGE PLC I/O PANEL
- ⊛ - TERMINALS IN CENTRIFUGE JUNCTION BOX
- ▲ - TO BE SUPPLIED BY OTHERS
- ◇ - PLC INPUT
- ◇ - PLC OUTPUT
- DENOTES FIELD WIRING

Legend7-01



DATE:	12/27/05
CHECKED BY:	SSD
APPROVED BY:	
SCALE:	NONE
FILE:	1524EP703
REV	0
REV	1
DATE	11/16/06
DATE	06/05/06
DESCRIPTION	UPDATED UPS ALARMS
DESCRIPTION	FOR FINAL REVIEW/BUILDING PERMIT
DESCRIPTION	REVISION

CITY OF STAMFORD CONNECTICUT
SOLIDS DRYING PROJECT

EMERGENCY STOP INTERLOCKS

PROJECT NUMBER: 1524
DRAWING NUMBER: EP-703
SHEET 1 OF 1

DATE: 12/27/05
CHECKED BY: SSD
APPROVED BY:
SCALE: NONE
FILE: 1524EP703

REV 0
REV 1

DATE 11/16/06
DATE 06/05/06

DESCRIPTION UPDATED UPS ALARMS
DESCRIPTION FOR FINAL REVIEW/BUILDING PERMIT
DESCRIPTION REVISION

THIS DRAWING IS COPY RIGHTED
FOR HIS PERSONAL USE WITHOUT THE SIGNED WRITTEN CONSENT OF ANDRITZ-RUTHNER, INC. IT MUST NOT BE COPIED NOR MADE AVAILABLE TO THIRD PARTIES, INCLUDING COMPETITORS, NOR MADE ACCESSIBLE TO SUCH PARTIES. ANY ILLEGAL USE BY THE RECEIVER OR THIRD PARTIES FOR WHICH HE IS RESPONSIBLE CAN CONSTITUTE A CAUSE FOR LEGAL ACTION. THIS DRAWING MUST BE RETURNED ON REQUEST OF THE COMPANY.

RELEASED 12/08/06
REVISION - 1

