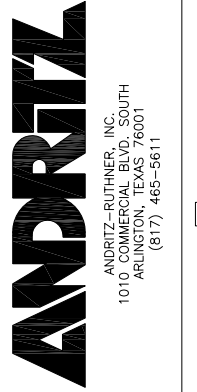
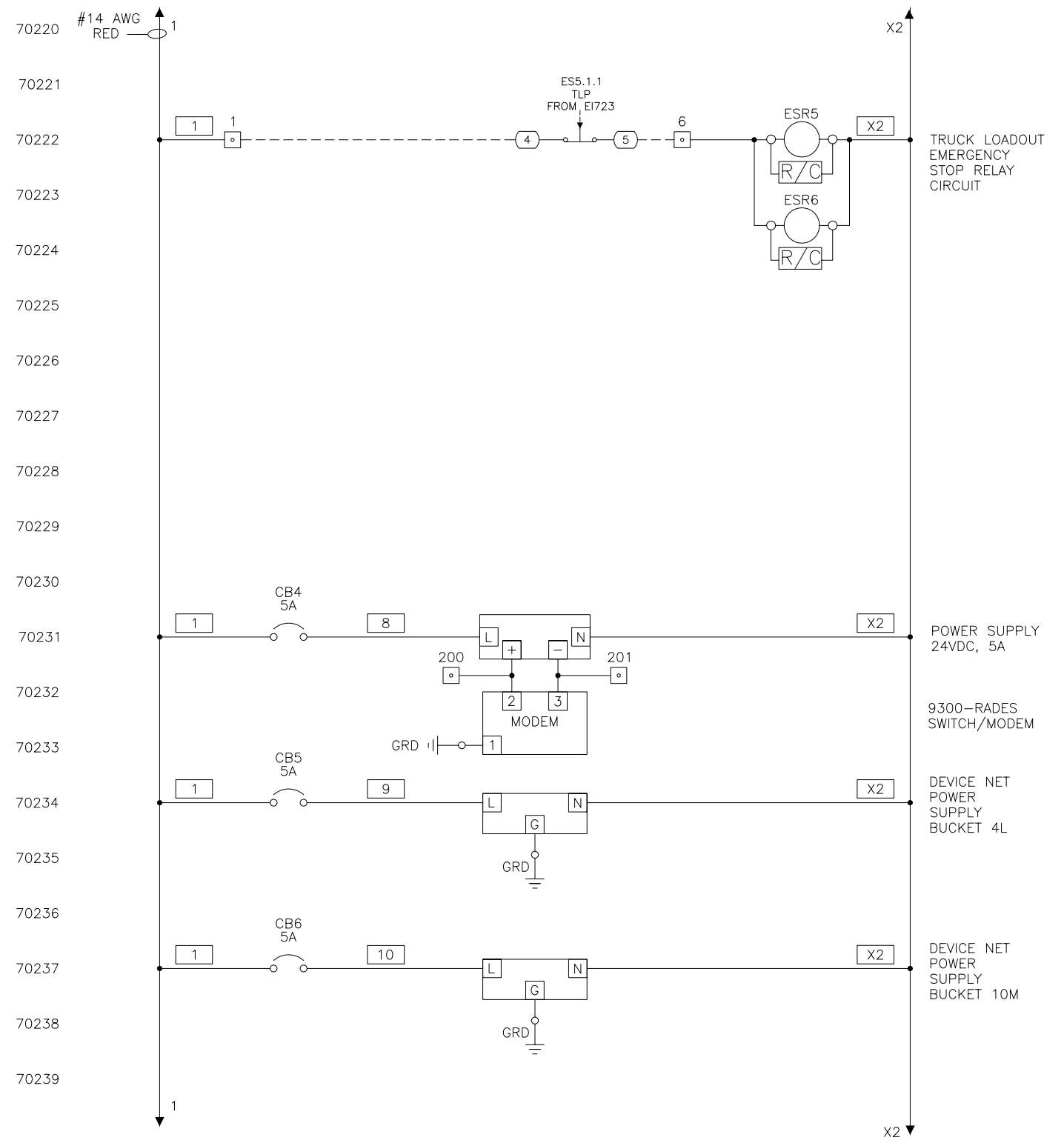
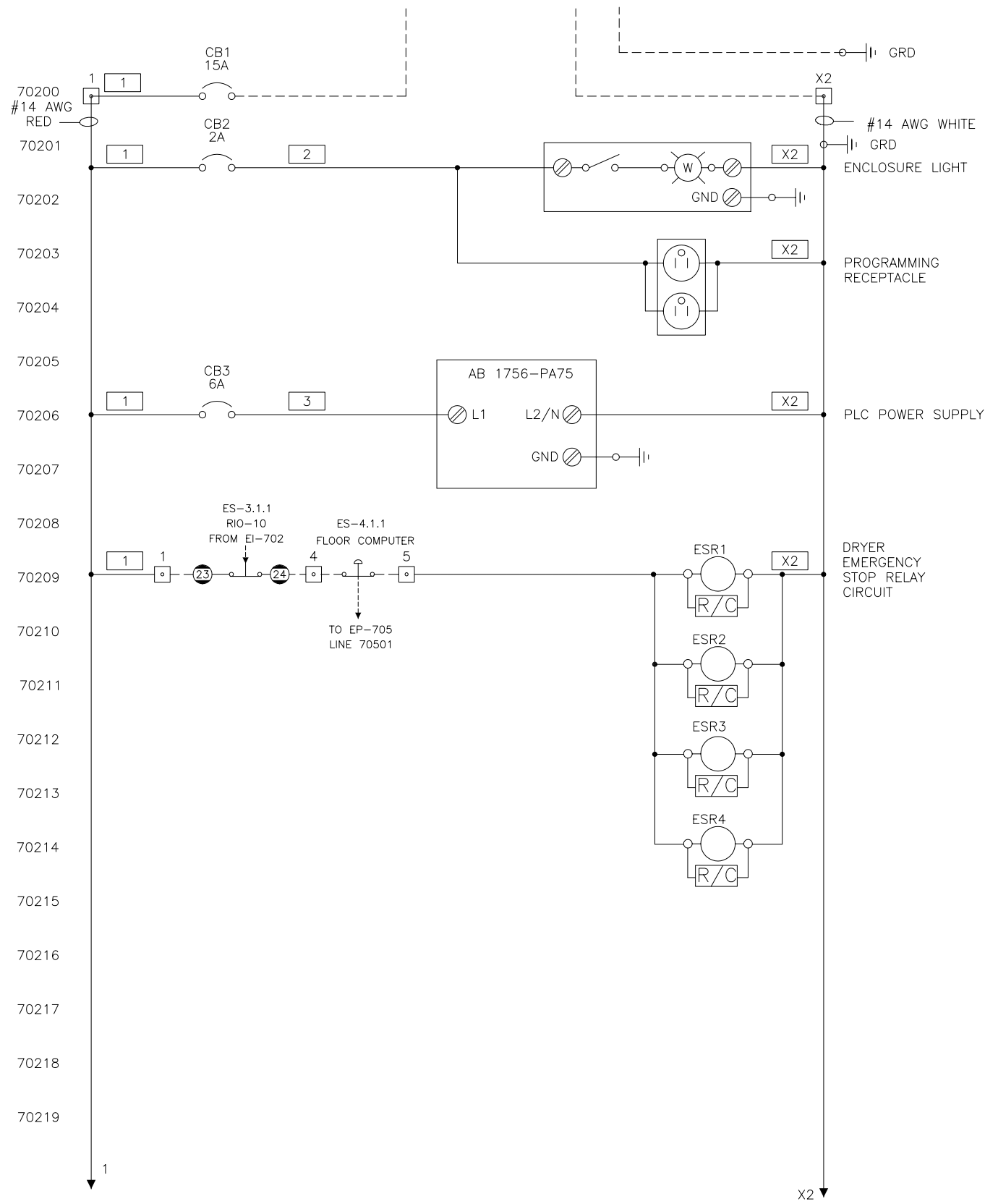
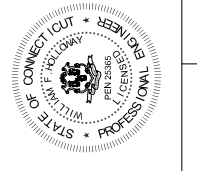


120 VAC, 1-PHASE, 60HZ.  
FROM UPS



ANDRITZ-RUTHNER, INC.  
1010 COMMERCIAL BLVD. SOUTH  
ARLINGTON, TEXAS 76001  
(817) 485-5611



DATE	REVISION
06/05/06	0

DATE: 12/27/05	FILE: 1524EP702
CHECKED BY: SSD	SCALE: NONE
APPROVED BY:	SIZE:

JOB NAME: CITY OF STAMFORD CONNECTICUT SOLIDS DRYING PROJECT	PROJECT NUMBER: 1524
TITLE: MCC-1 POWER DISTRIBUTION	DRAWING NUMBER: EP-702
REV: 0	SHEET 1 OF 1

RELEASED 12/08/06  
REVISION - 0



THIS DRAWING IS A TRADE SECRET AND ONLY ENTRUSTED TO THE RECEIVER FOR HIS PERSONAL USE. WITHOUT THE SIGNED WRITTEN CONSENT OF ANDRITZ-RUTHNER, INC., IT MUST NOT BE COPIED NOR MADE AVAILABLE TO THIRD PARTIES. INCLUDING COMPETITORS, NOR MADE ACCESSIBLE TO SUCH PARTIES. ANY ILLEGAL USE BY THE RECEIVER OR THIRD PARTIES FOR WHICH HE IS RESPONSIBLE CAN CONSTITUTE A CAUSE FOR LEGAL ACTION. THIS DRAWING MUST BE RETURNED ON REQUEST OF THE COMPANY.