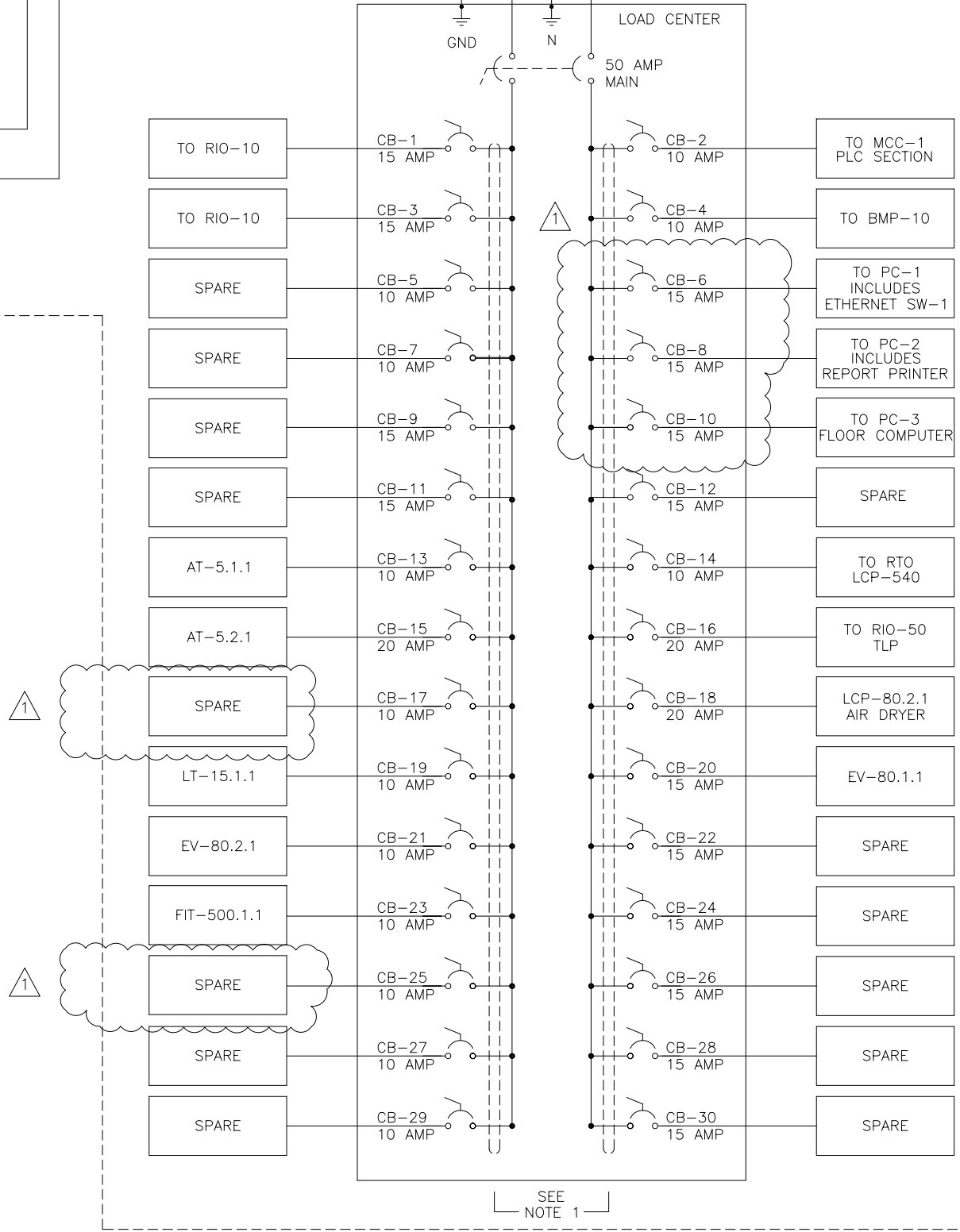
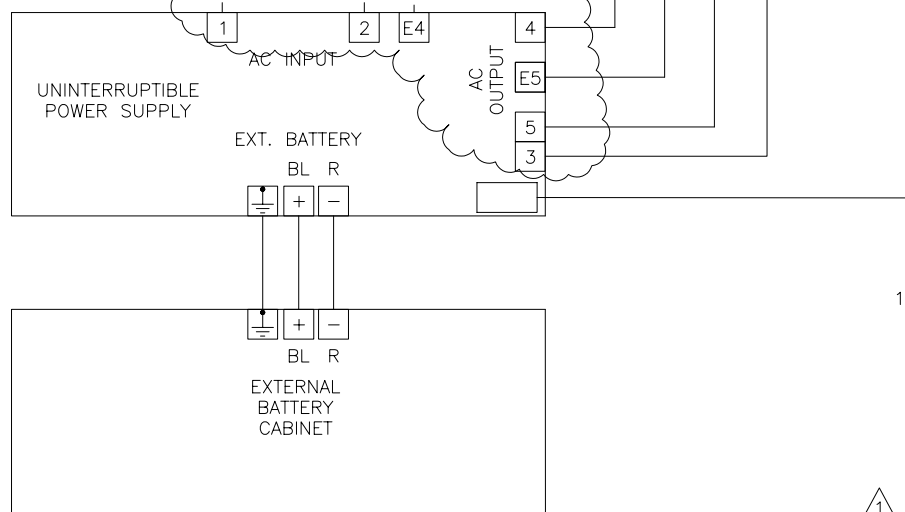
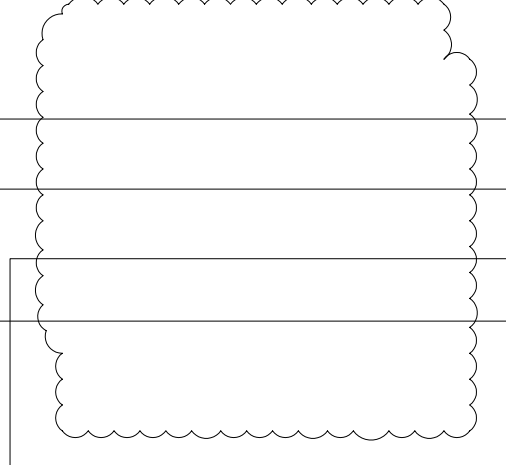
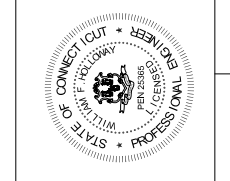
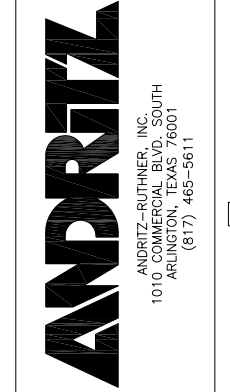


UPS POWER DISTRIBUTION



SEE NOTE 1

- NOTES:
- 1) 120 VAC SINGLE PHASE.
  - 2) NO OTHER LOADS ARE TO BE POWERED FROM THE UPS WITHOUT WRITTEN APPROVAL FROM ANDRITZ.



DATE	REV	REVISION
12/27/05	0	FOR FINAL REVIEW/BUILDING PERMIT
10/26/06	1	UPDATE TYPICAL UPS PWR DISTRIBUTION (EIR62)
06/05/06	0	FOR FINAL REVIEW/BUILDING PERMIT

DATE: 12/27/05	CITY OF STAMFORD CONNECTICUT
CHECKED BY: SSD	SOLIDS DRYING PROJECT
APPROVED BY:	
SCALE: NONE	PROJECT NUMBER: 1524
FILE: 1524EP615	TITLE: UPS POWER DISTRIBUTION
SIZE: DDS40	SHEET 1 OF 1
DATE: 10/26/06	DRAWING NUMBER: EP-615
REV: 0	REV: 1
	REVISION: 1

THIS DRAWING IS A TRADE SECRET AND ONLY ENTRUSTED TO THE RECEIVER FOR HIS PERSONAL USE WITHOUT THE SIGNED WRITTEN CONSENT OF ANDRITZ-RUTHNER, INC. IT MUST NOT BE COPIED NOR MADE AVAILABLE TO THIRD PARTIES, INCLUDING COMPETITORS, NOR MADE ACCESSIBLE TO SUCH PARTIES. ANY ILLEGAL USE BY THE RECEIVER OR THIRD PARTIES FOR WHICH HE IS RESPONSIBLE CAN CONSTITUTE A CAUSE FOR LEGAL ACTION. THIS DRAWING MUST BE RETURNED ON REQUEST OF THE COMPANY.

RELEASED 12/08/06  
REVISION - 1

