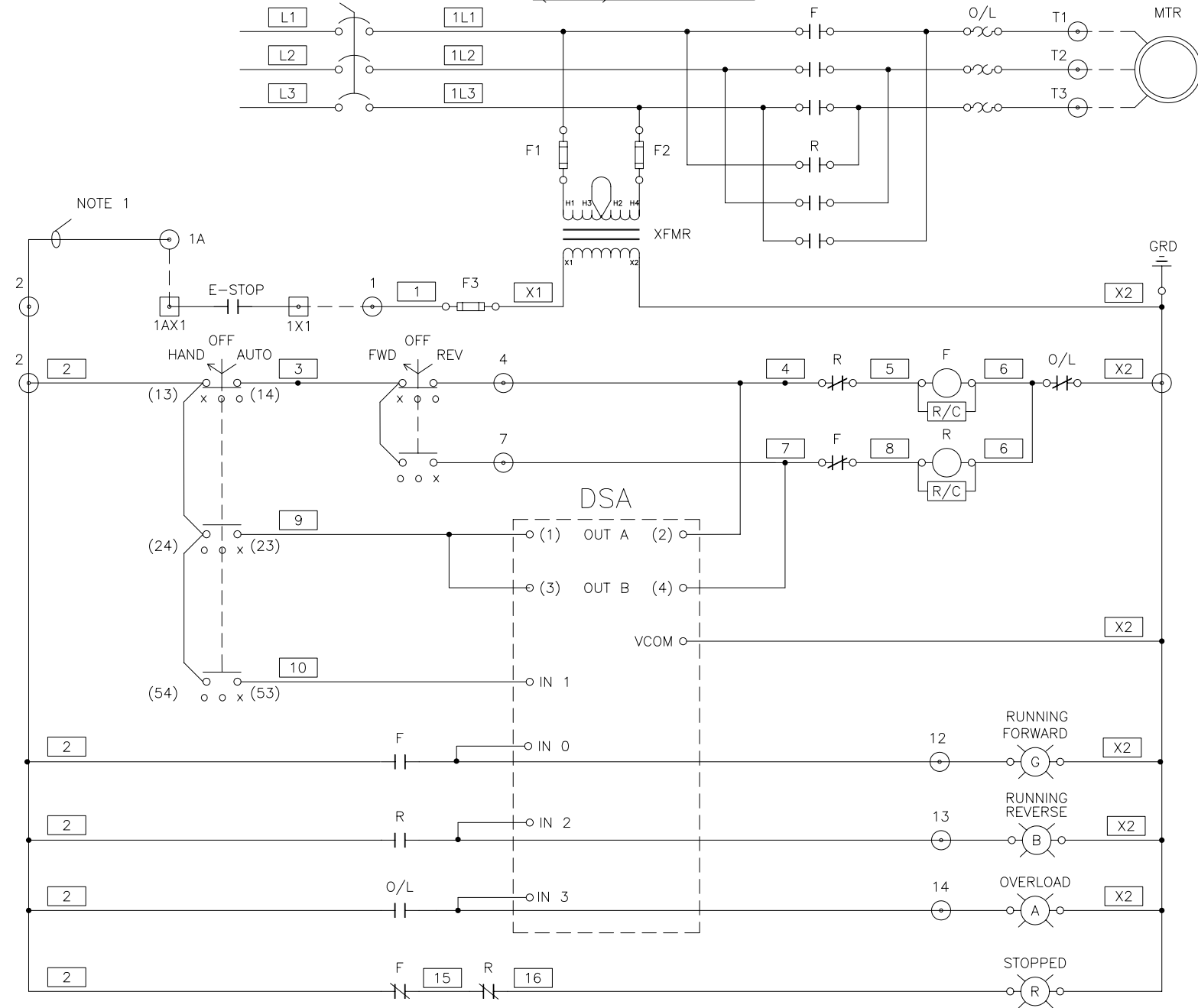


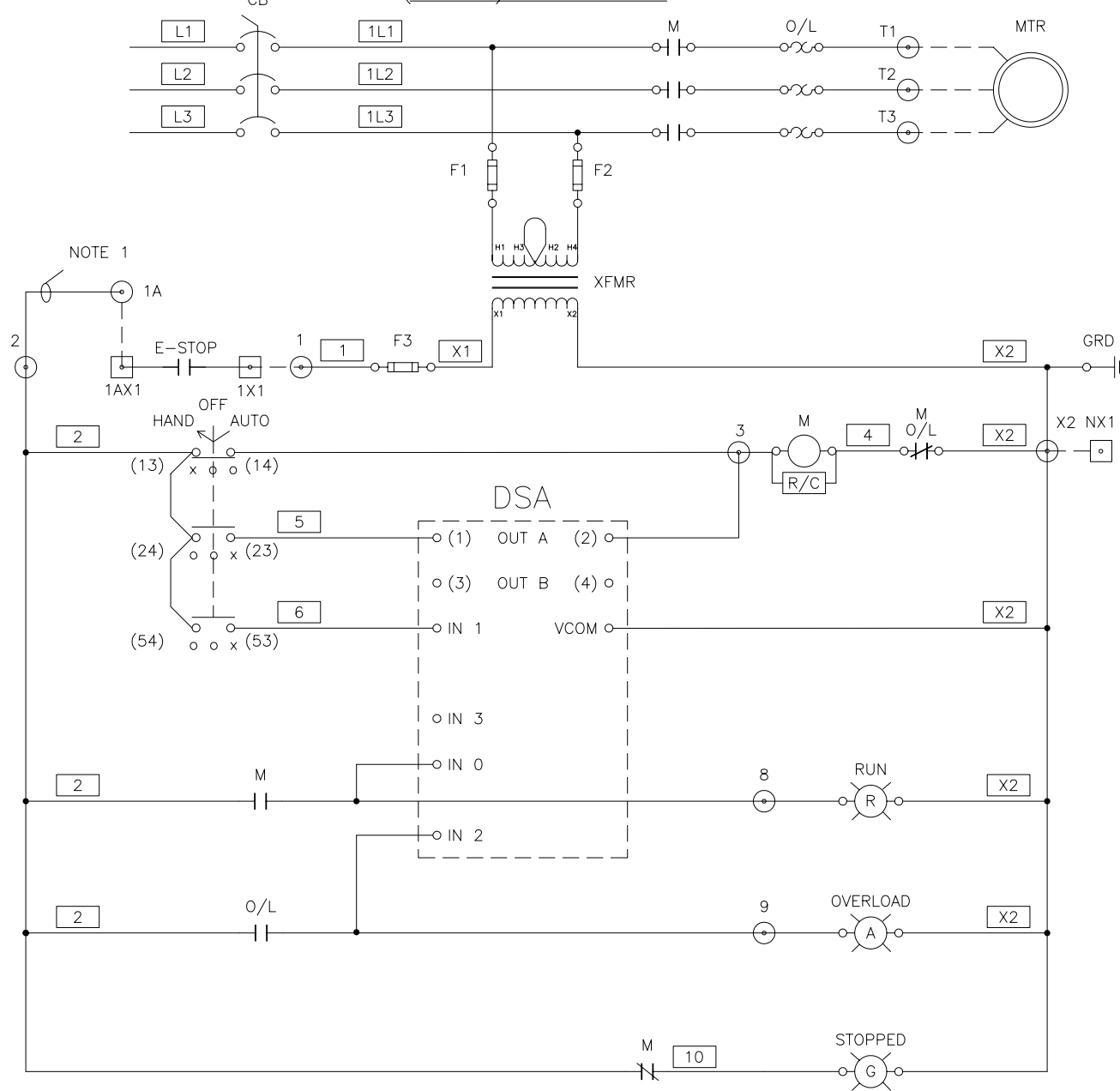
(FVR) TYPICALS



TYPICAL FOR:

- M-99.1.1 TRUCK LOADOUT CHUTE 1
- M-99.1.2 TRUCK LOADOUT CHUTE 2

(FVNR) TYPICALS

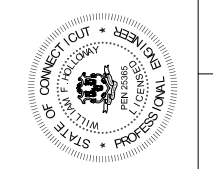
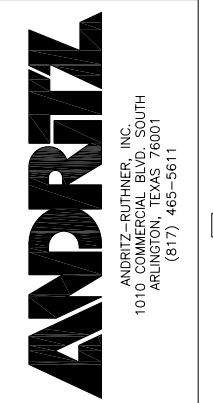


TYPICAL FOR:

- M-6.1.1 PRESEPARATOR ROTARY VALVE
- M-7.1.1 POLYCYCLONE SCREW CONVEYOR
- M-8.1.1 SCREEN FEED ROTARY VALVE
- M-9.1.1 SHAKER SCREEN
- M-11.1.1 RECYCLE BIN SCREW CONVEYOR
- M-12.1.1 RECYCLE FEED BUCKET ELEVATOR
- M-13.1.1 RECYCLE BIN ACTIVATOR
- M-13.2.1 RECYCLE BIN ROTARY VALVE
- M-16.1.1 WET BIN LIVE BOTTOM SCREW 1
- M-16.2.1 WET BIN LIVE BOTTOM SCREW 2
- M-19.1.1 FINAL PRODUCT BUCKET ELEVATOR
- M-22.1.1 SILO 1 BIN ACTIVATOR
- M-22.1.2 SILO 2 BIN ACTIVATOR
- M-25.1.1 SILO 1 DISCHARGE MIXTURE CONVEYOR
- M-25.1.2 SILO 2 DISCHARGE MIXTURE CONVEYOR
- M-30.1.1 FUGITIVE DUST BAGHOUSE FAN
- M-30.2.1 FUGITIVE DUST ROTARY VALVE
- M-31.1.1 SILO AREA DUST COLLECTOR FAN
- M-31.2.1 SILO AREA DUST ROTARY VALVE
- M-620.1.1 PELLET OIL PUMP
- M-611.1.1 CAKE TRANSFER CONVEYOR
- M-XXX.X.X SPARE 10HP
- M-XXX.Y.Z SPARE 7.5HP

NOTES:

- 1) REMOVE JUMPER FOR ADDITIONAL INTERLOCKS (i.e. PULL CORD EMERGENCY STOP)



DATE:	12/27/05
CHECKED BY:	SSD
APPROVED BY:	
SCALE:	NONE
FILE:	1524EP604
SIZE:	
REV	0
DATE	06/05/06
DATE	8/31/06
REV	1
DATE	06/05/06
DATE	

DDSD40

CITY OF STAMFORD CONNECTICUT
SOLIDS DRYING PROJECT
TYPICAL BUCKET MOTOR
STARTER WIRING DIAGRAM
JOB NAME
TITLE
PROJECT NUMBER
1524
DRAWING NUMBER
EP-604
SHEET 1 OF 1

RELEASED 12/08/06
REVISION - 1

