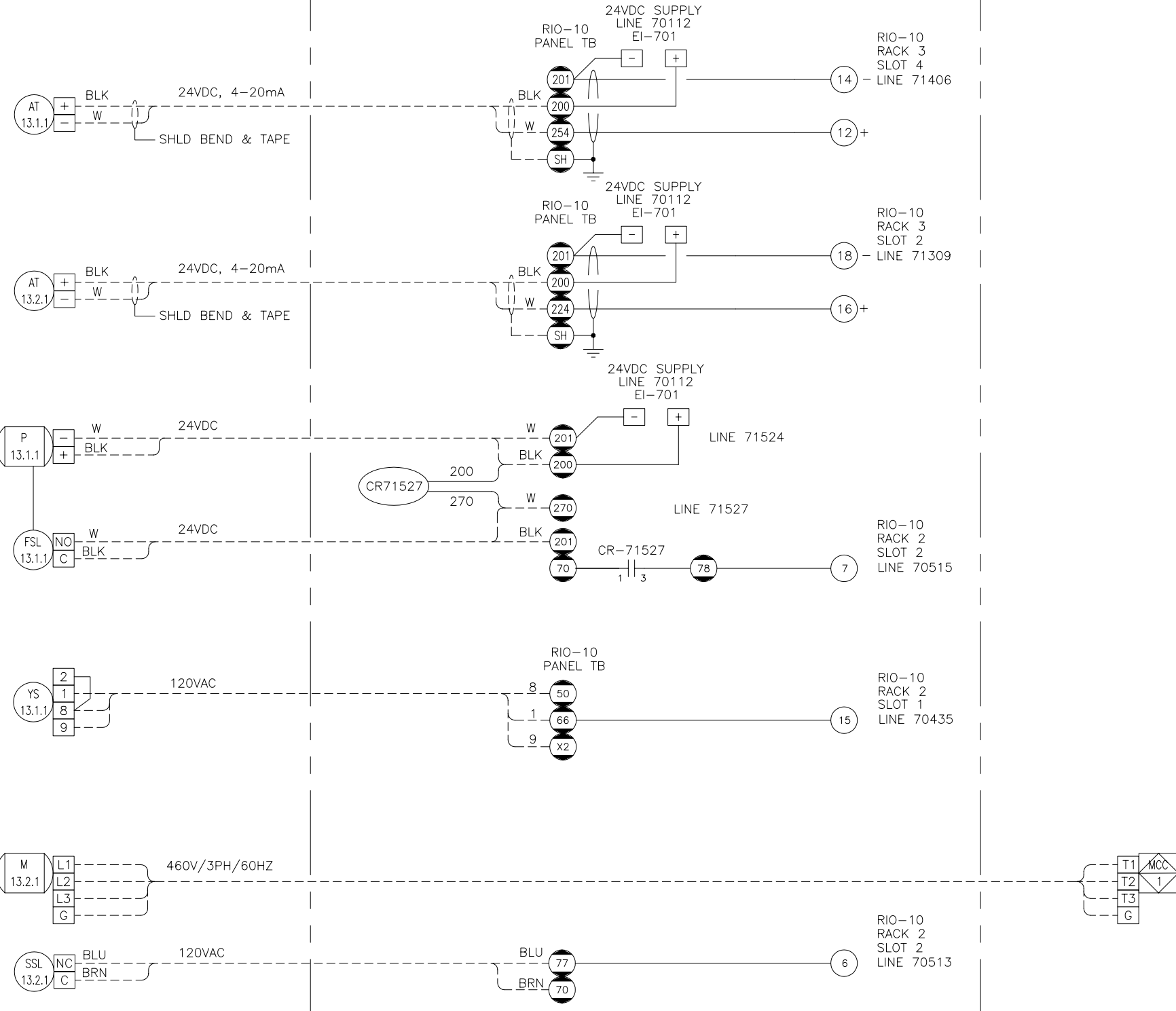


FIELD

REMOTE I/O

MCC BUCKET

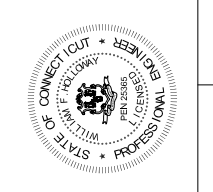
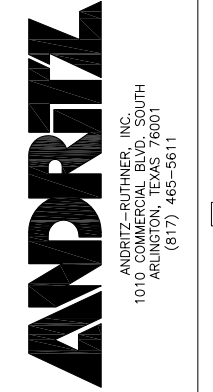
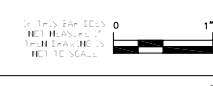
PANEL



TAG	DESCRIPTION	MANUFACTURER	MODEL NO.	CALIBRATION
AT13.1.1	CO ANALYZER - MS07	MSA	AULTIMAXE12B1S00000000CO	0-25%
AT13.1.1	FLOW CAP	MSA	10041866 F/ULTIMA	X
AT13.1.1	ULTIMA MOUNTING STRAP	MSA	697281 ULTIMA MTG STRAP	X
AT13.2.1	CO ANALYZER - MS07	MSA	AULTIMAXE12B1S00000000CO	0-25%
AT13.2.1	FLOW CAP	MSA	10041866 F/ULTIMA	X
AT13.2.1	ULTIMA MOUNTING STRAP	MSA	697281 ULTIMA MTG STRAP	X
P13.1.1	ANALYZER SAMPLE PUMP	MSA	815406	X
FSL-13.1.1	FLOW SWITCH LOW	MSA	X	X
YS-13.1.1	RUPTURE DISK MONITOR	INTERCEPTOR-QR	X	X
M-13.2.1	MOTOR	X	X	X
SSL-13.2.1	ZERO SPEED SWITCH	TELEMECANIQUE	XSAV-11801	X

THIS DRAWING IS COPY RIGHTED
 THIS DRAWING IS A TRADE SECRET AND ONLY ENTRUSTED TO THE RECEIVER
 FOR HIS PERSONAL USE WITHOUT THE SIGNED WRITTEN CONSENT OF ANDRITZ-
 RUTHER, INC. IT MUST NOT BE COPIED NOR MADE AVAILABLE TO THIRD PARTIES.
 INCLUDING COMPETITORS, NOR MADE ACCESSIBLE TO SUCH PARTIES. ANY ILLEGAL
 USE BY THE RECEIVER OR THIRD PARTIES FOR WHICH HE IS RESPONSIBLE CAN
 CONSTITUTE A CAUSE FOR LEGAL ACTION. THIS DRAWING MUST BE RETURNED ON
 REQUEST OF THE COMPANY.

RELEASED 12/08/06
 REVISION - 0



DATE:	3/18/06	DATE:	12/08/06
DRAWN BY:	BB	CHECKED BY:	
APPROVED BY:		SCALE:	NONE
FILE:	1524E1818	SIZE:	
REV:	0	FOR FINAL REVIEW/BUILDING PERMIT	REVISION

DDSD40

CITY OF STAMFORD CONNECTICUT
 SOLIDS DRYING PROJECT
 PELLETIZING TRAIN GROUP 013
 LOOP DIAGRAM
 PROJECT NUMBER: 1524
 DRAWING NUMBER: EI-818
 SHEET 2 OF 2