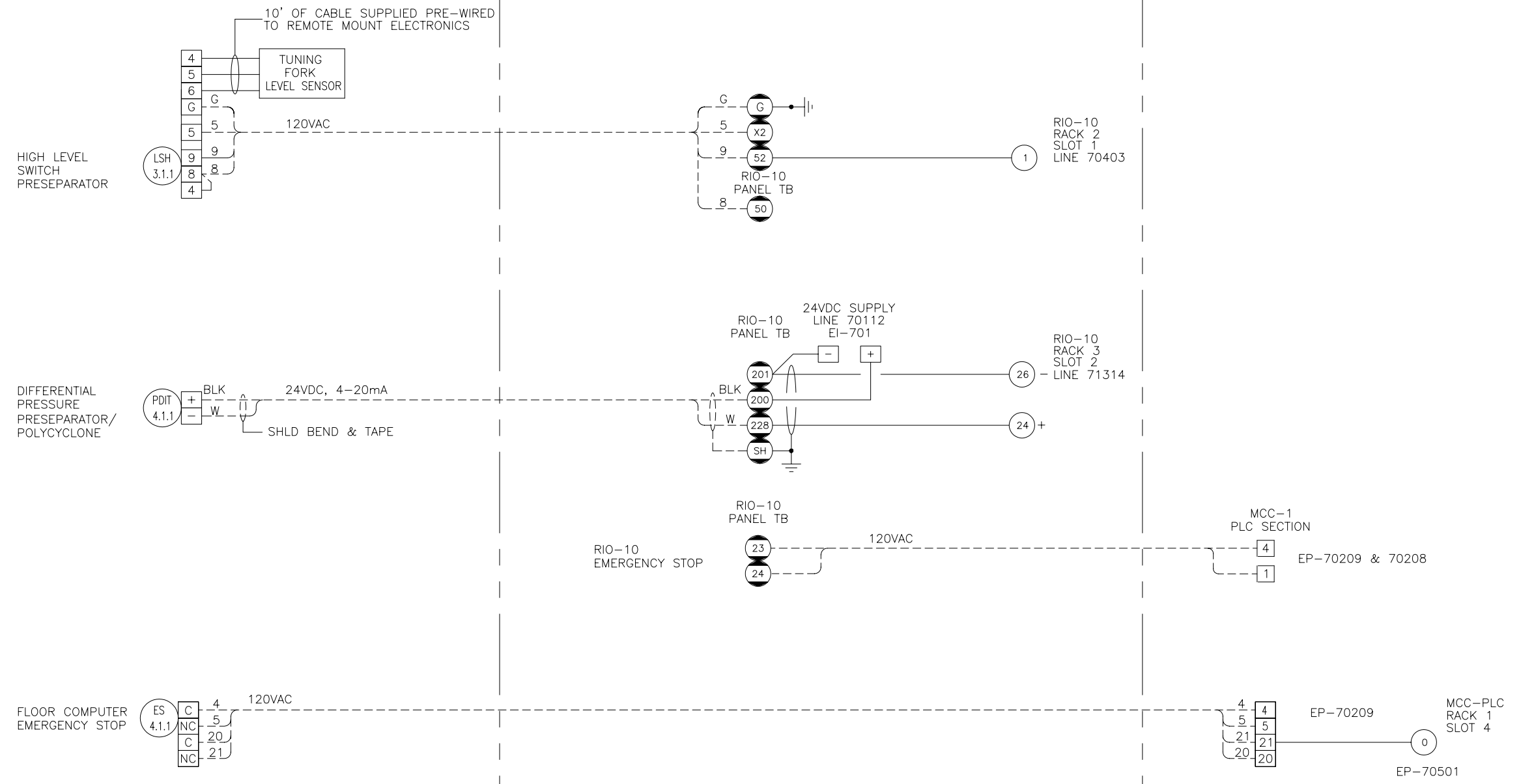


DATE:	3/18/06
DRAWN BY:	BB
CHECKED BY:	
APPROVED BY:	
SCALE:	NONE
SIZE:	1524EIB05
REV	0
REVISION	FOR FINAL REVIEW/BUILDING PERMIT
DATE	12/08/06

JOB NAME	CITY OF STAMFORD CONNECTICUT SOLIDS DRYING PROJECT
TITLE	PELLETIZING TRAIN GROUP 003 LOOP DIAGRAM
PROJECT NUMBER	1524
DRAWING NUMBER	EI-805
REV	0
SHEET	1 OF 1

FIELD REMOTE I/O MCC BUCKET PANEL



TAG	DESCRIPTION	MANUFACTURER	MODEL NO.	CALIBRATION
LSH-3.1.1	LEVEL SWITCH	ENDRESS & HAUSER	FTM31DR-Q5CB1A	X
PDIT-4.1.1	DIFFERENTIAL PRESSURE TRANSMITTER	ROSEMOUNT	1151DP3S22B1M7	0-30" H2O
ES-4.1.1	EMERGENCY STOP	X	X	X

THIS DRAWING IS COPY RIGHTED
 FOR HIS PERSONAL USE WITHOUT THE SIGNED WRITTEN CONSENT OF ANDRITZ-RUTHNER, INC., IT MUST NOT BE COPIED NOR MADE AVAILABLE TO THIRD PARTIES, INCLUDING COMPETITORS, NOR MADE ACCESSIBLE TO SUCH PARTIES. ANY ILLEGAL USE BY THE RECEIVER OR THIRD PARTIES FOR WHICH HE IS RESPONSIBLE CAN CONSTITUTE A CAUSE FOR LEGAL ACTION. THIS DRAWING MUST BE RETURNED ON REQUEST OF THE COMPANY.

RELEASED 12/08/06
 REVISION - 0

