

D

C

B

A

D

C

B

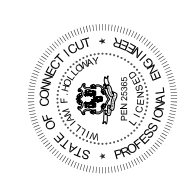
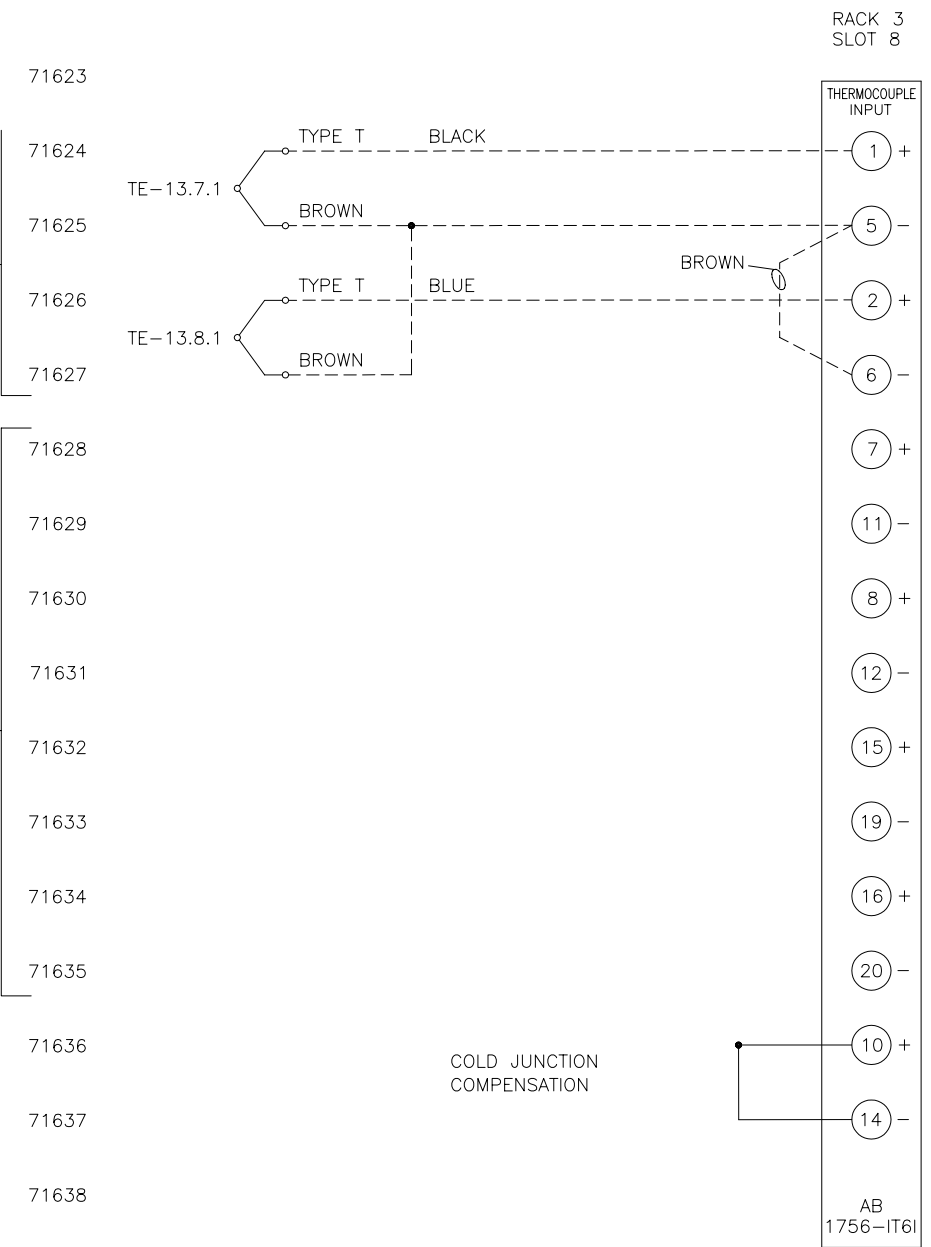
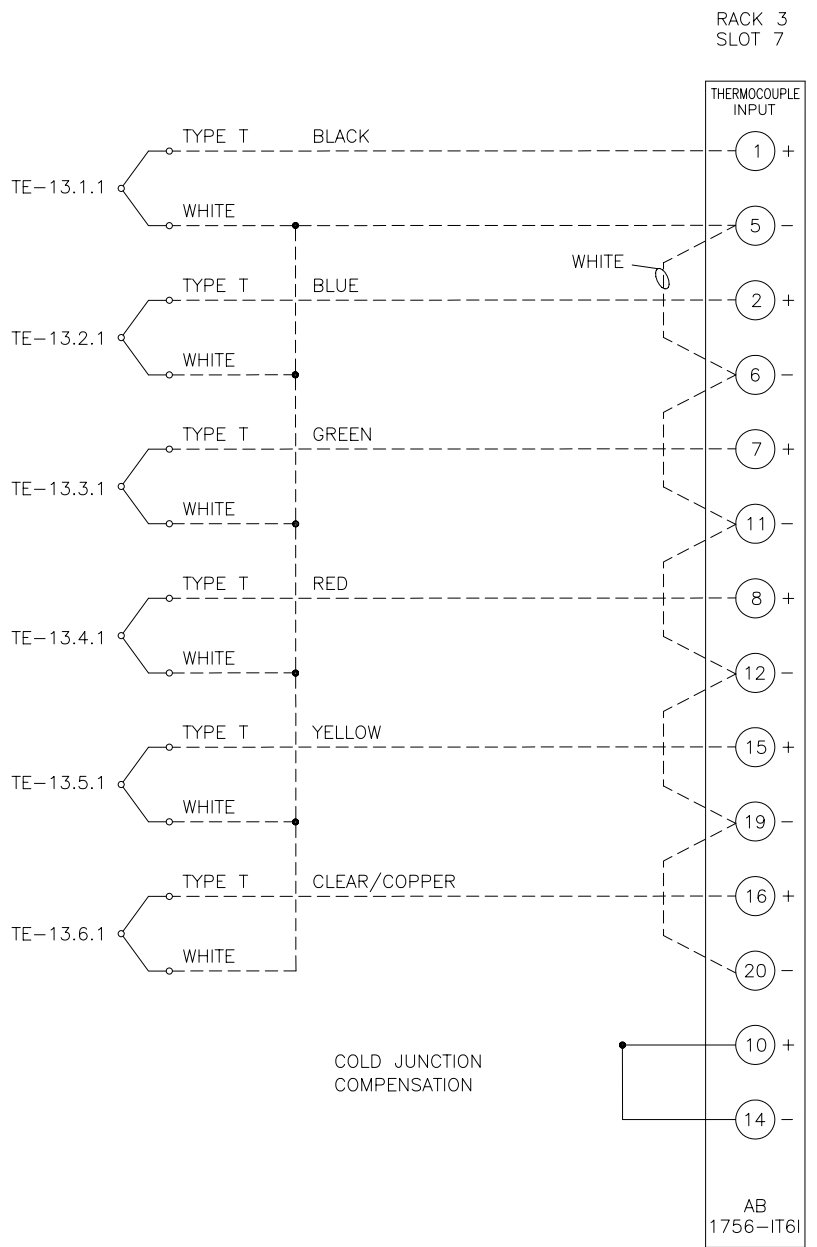
A

RECYCLE
BIN
THERMOCOUPLES

RECYCLE
BIN
THERMOCOUPLES

SPARES

COLD JUNCTION
COMPENSATION



DATE	REVISION
06/05/06	0

DATE: 12/29/05	FILE: 1524E716
SSD	DD540
CHECKED BY:	
APPROVED BY:	
SCALE: NONE	
SIZE:	

JOB NAME	CITY OF STAMFORD CONNECTICUT SOLIDS DRYING PROJECT
TITLE	RIO-10 WIRING DIAGRAM
PROJECT NUMBER	1524
DRAWING NUMBER	EI-716
REV	0
SHEET	1 OF 1

THIS DRAWING IS A TRADE SECRET AND ONLY ENTRUSTED TO THE RECEIVER FOR HIS PERSONAL USE. WITHOUT THE SIGNED WRITTEN CONSENT OF ANDRITZ-RUTHNER, INC., IT MUST NOT BE COPIED NOR MADE AVAILABLE TO THIRD PARTIES. INCLUDING COMPETITORS, NOR MADE ACCESSIBLE TO SUCH PARTIES. ANY ILLEGAL USE BY THE RECEIVER OR THIRD PARTIES FOR WHICH HE IS RESPONSIBLE CAN CONSTITUTE A CAUSE FOR LEGAL ACTION. THIS DRAWING MUST BE RETURNED ON REQUEST OF THE COMPANY.

RELEASED 12/08/06
REVISION - 0

