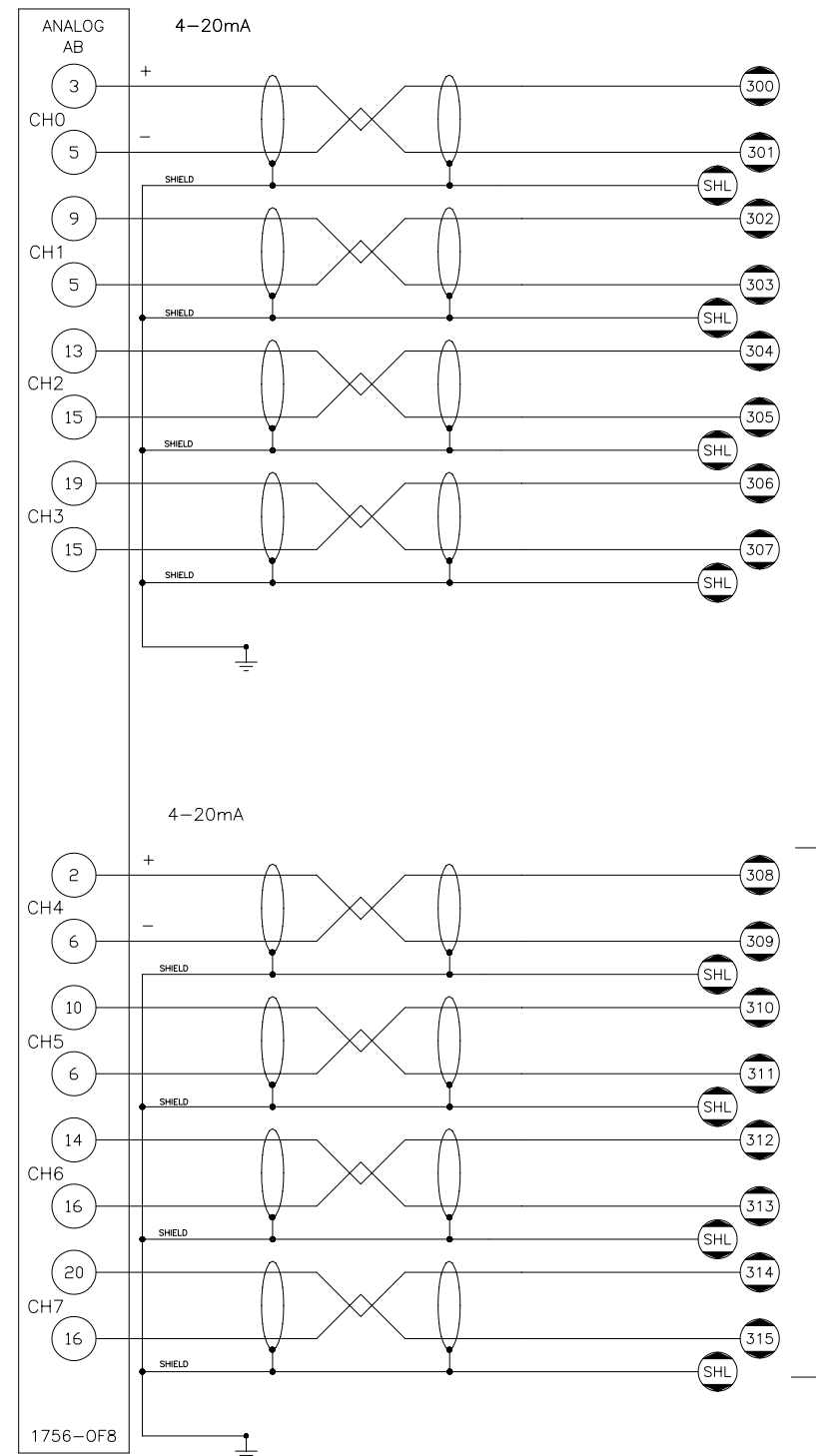


RACK 3
SLOT 6

71500
71501
71502
71503
71504
71505
71506
71507
71508
71509
71510
71511
71512
71513
71514
71515
71516
71517
71518
71519
71520



300 SPARE

301

302 MAIN I.D. FAN FLOW CONTROL VALVE FCV-5.1.1

303

304 PRODUCT DIVERTER FCV-9.1.1

305

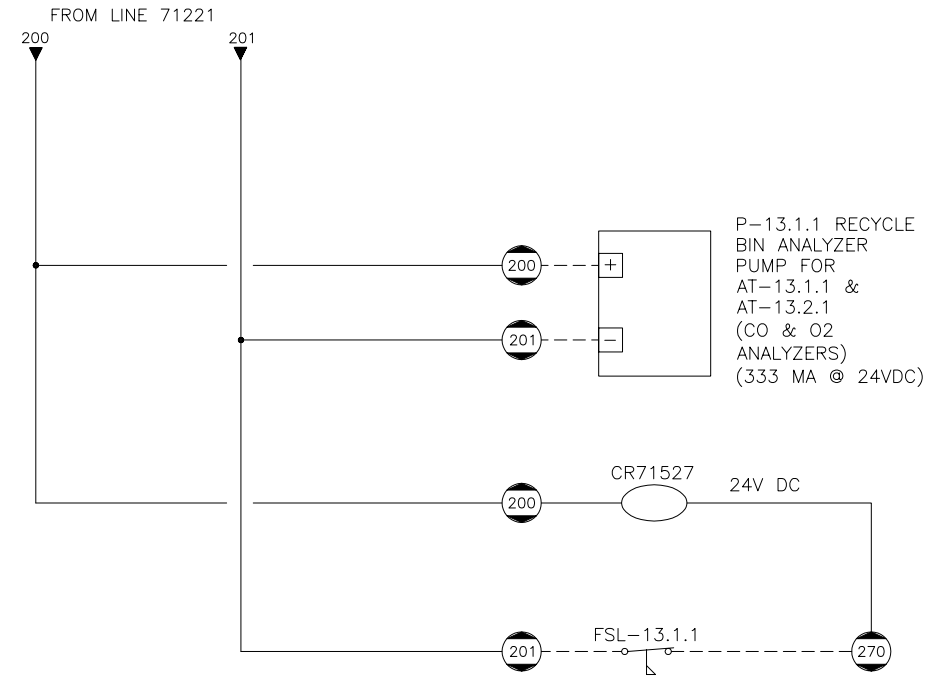
306 VENTURI WATER SUPPLY FCV-510.1.1

307

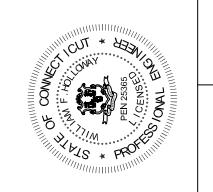
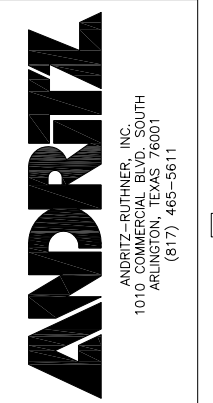
CR 71527 RECYCLE BIN SAMPLE PUMP CONTROL RELAY

FSL 13.1.1 RECYCLE BIN SAMPLE PUMP FLOW SWITCH

71521
71522
71523
71524
71525
71526
71527
71528
71529
71530
71531
71532
71533
71534
71535
71536
71537
71538
71539
71540
71541



70515



DATE	REVISION
06/05/06	0
	1
	2
	3
	4
	5
	6
	7
	8
	9
	10
	11
	12
	13
	14
	15
	16
	17
	18
	19
	20
	21
	22
	23
	24
	25
	26
	27
	28
	29
	30
	31
	32
	33
	34
	35
	36
	37
	38
	39
	40
	41
	42
	43
	44
	45
	46
	47
	48
	49
	50
	51
	52
	53
	54
	55
	56
	57
	58
	59
	60
	61
	62
	63
	64
	65
	66
	67
	68
	69
	70
	71
	72
	73
	74
	75
	76
	77
	78
	79
	80
	81
	82
	83
	84
	85
	86
	87
	88
	89
	90
	91
	92
	93
	94
	95
	96
	97
	98
	99
	100

DATE: 12/29/05	FILE: 1524E1715
CHECKED BY: SSD	SCALE: NONE
APPROVED BY:	SIZE:
DDS40	

JOB NAME: CITY OF STAMFORD CONNECTICUT SOLIDS DRYING PROJECT	PROJECT NUMBER: 1524
TITLE: RIO-10 WIRING DIAGRAM	DRAWING NUMBER: EI-715
DATE: 12/29/05	REVISION: 0
SHEET 1 OF 1	

THIS DRAWING IS COPY RIGHTED AND IS THE PROPERTY OF ANDRITZ-RUTHNER, INC. IT IS NOT TO BE COPIED, REPRODUCED, OR TRANSMITTED IN ANY FORM OR BY ANY MEANS, ELECTRONIC OR MECHANICAL, WITHOUT THE WRITTEN PERMISSION OF ANDRITZ-RUTHNER, INC. ANY UNAUTHORIZED USE OF THIS DRAWING IS STRICTLY PROHIBITED. ANDRITZ-RUTHNER, INC. 1010 COMMERCIAL BLVD. SOUTH ARLINGTON, TEXAS 76001 (817) 465-5611

RELEASED 12/08/06
REVISION - 0

